

Service Manual

SD4051 /F B/N1B

Cassette Deck

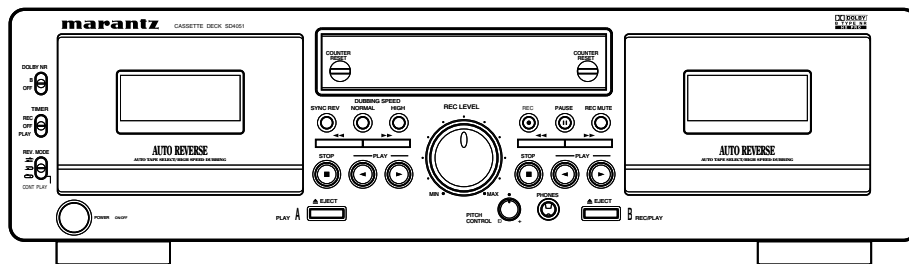


TABLE OF CONTENTS

SECTION	PAGE
1. TECHNICAL SPECIFICATIONS	1
2. ADJUSTMENT PROCEDURE	2
3. WIRING DIAGRAM	7
4. BLOCK DIAGRAM	9
5. SCHEMATIC DIAGRAM	11
6. PARTS LOCATION	21
7. MICROPROCESSOR AND IC DATA	25
8. EXPLODED VIEW AND PARTS LIST	27
9. ELECTRICAL PARTS LIST	31
10. ABOUT REPLACE THE MICROPROCESSOR WITH A NEW ONE	45

Please use this service manual with referring to the user guide (D.F.U.) without fail.
修理の際は、必ず取扱説明書を準備し操作方法を確認の上作業を行ってください。

marantz®

SD4051

MARANTZ DESIGN AND SERVICE

Using superior design and selected high grade components, **MARANTZ** company has created the ultimate in stereo sound. Only original **MARANTZ** parts can insure that your **MARANTZ** product will continue to perform to the specifications for which it is famous.

Parts for your **MARANTZ** equipment are generally available to our National Marantz Subsidiary or Agent.

ORDERING PARTS :

Parts can be ordered either by mail or by Fax.. In both cases, the correct part number has to be specified.

The following information must be supplied to eliminate delays in processing your order :

1. Complete address
2. Complete part numbers and quantities required
3. Description of parts
4. Model number for which part is required
5. Way of shipment
6. Signature : any order form or Fax. must be signed, otherwise such part order will be considered as null and void.

USA

MARANTZ AMERICA, INC
100 CORPORATE DRIVE
MAHWAH, NEW JERSEY 07430
USA

EUROPE / TRADING

MARANTZ EUROPE B.V.
P. O. BOX 8744, BUILDING SILVERPOINT
BEEMDSTRAAT 11, 5653 MA EINDHOVEN
THE NETHERLANDS
PHONE : +31 - 40 - 2507844
FAX : +31 - 40 - 2507860

CANADA

MARANTZ CANADA INC.
5-505 APPLE CREEK BLVD.
MARKHAM, ONTARIO L3R 5B1
CANADA
PHONE : 905 - 415 - 9292
FAX : 905 - 475 - 4159

AUSTRALIA

QualiFi Pty Ltd,
24 LIONEL ROAD,
MT. WAVERLEY VIC 3149
AUSTRALIA
PHONE : +61 - (0)3 - 9543 - 1522
FAX : +61 - (0)3 - 9543 - 3677

THAILAND

MRZ STANDARD CO., LTD
746 - 754 MAHACHAI ROAD.,
WANGBURAPAPIROM, PHRANAKORN,
BANGKOK, 10200 THAILAND
PHONE : +66 - 2 - 222 9181
FAX : +66 - 2 - 224 6795

SINGAPORE

WO KEE HONG DISTRIBUTION PTE LTD
No.1 JALAN KILANG TIMOR
#08-03 PACIFIC TECH CENTRE
SINGAPORE 159303
PHONE : +65 6376 0338
FAX : +65 6376 0166

NEW ZEALAND

WILDASH AUDIO SYSTEMS NZ
14 MALVERN ROAD MT ALBERT
AUCKLAND NEW ZEALAND
PHONE : +64 - 9 - 8451958
FAX : +64 - 9 - 8463554

TAIWAN

PAI- YUING CO., LTD.
6 TH FL NO, 148 SUNG KIANG ROAD,
TAIPEI, 10429, TAIWAN R.O.C.
PHONE : +886 - 2 - 25221304
FAX : +886 - 2 - 25630415

MALAYSIA

WO KEE HONG ELECTRONICS SDN. BHD.
2ND FLOOR BANGUNAN INFINITE CENTRE
LOT 1, JALAN 13/6, 46200 PETALING JAYA
SELANGOR DARUL EHSAN, MALAYSIA
PHONE : +60 - 3 - 7954 8088
FAX : +60 - 3 - 7954 7088

JAPAN

D&M Holdings Inc.
D&M BUILDING, 2-1 NISSHIN-CHO,
KAWASAKI-KU, KAWASAKI-SHI,
KANAGAWA, 210-8569 JAPAN

株式会社 ディーアンドエムホールディングス

本 社 〒210-8569
神奈川県川崎市川崎区日進町2-1 D&Mビル

KOREA

MARANTZ KOREA CO., LTD.
ROOM 604, ELECTRO OFFICE, 16-58,
HANGGANG-RO 3GA, YONGSAN-KU,
SEOUL, 140-013, KOREA
PHONE : +82 - 2 - 323 - 2155
FAX : +82 - 2 - 323 - 2154

CHINA

MARANTZ SHANGHAI TRADING LTD.
ROOM.506 SHANGHAI LIGHT INDUSTRY MANSION
1578 NANJING (WEST) ROAD SHANGHAI
CHINA
TEL : 021 - 6248 - 1064
FAX : 021 - 6248 - 3565

SHOCK, FIRE HAZARD SERVICE TEST :

CAUTION : After servicing this appliance and prior to returning to customer, measure the resistance between either primary AC cord connector pins (with unit NOT connected to AC mains and its Power switch ON), and the face or Front Panel of product and controls and chassis bottom.

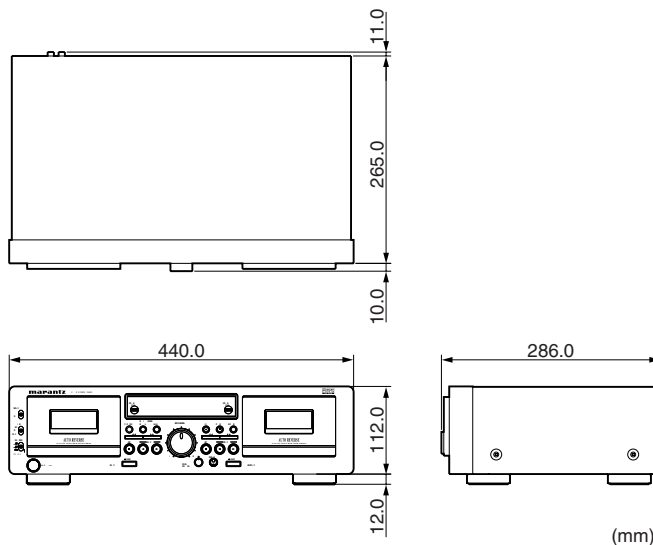
Any resistance measurement less than 1 Megohms should cause unit to be repaired or corrected before AC power is applied, and verified before it is return to the user/customer.


In case of difficulties, do not hesitate to contact the Technical
Department at above mentioned address.


1. TECHNICAL SPECIFICATIONS

Type	Vertical tape loading; 4-track 2-channel stereo double cassette deck
Heads	Playback head × 1 Recording/Playback head × 1 Erase head (Double-gap ferrite) × 1
Motors	DC servo motor × 2
Tape Speed	4.8 cm/sec. 9.5 cm/sec. (When high speed dubbing)
Fast Forward, Rewind Time	Approx. 110 sec. with a C-60 cassette
Recording Bias	Approx. 100 kHz
Overall S/N Ratio (at 3% THD level)	Dolby B NR on: more than 68 dB (CCIR/ARM)
Overall Frequency Response	25 - 18,000 Hz ± 3 dB (at - 20 dB, Metal tape Play back)
Channel Separation	More than 40 dB (at 1 kHz)
Wow & Flutter	0.09 % WRMS, ± 0.1 % W. PEAK
Inputs LINE	100 mV input level at maximum Input impedance: 50 kohms unbalanced
Output LINE	460 mV (0 dB) output level at maximum (with 47 kohms load, recorded level of 200 nWb/mm)
PHONES	0.95 mW output level at maximum (optimum load impedance 8 ohms)
Power Requirement	AC 230V 50Hz [F]
Power Consumption	16 W
Dimensions	440 (W) × 124 (H) × 286 (D) mm
Weight	4.0 kg (8.58 lbs.)

トラック型式	4トラック 2チャンネル
録音方式	交流バイアス方式
ヘッド	録音・再生ヘッド× 1 再生ヘッド× 1 消去ヘッド× 1
モーター	DCサーボモーター× 2
ワウフラッター	0.09% WRMS [±0.1% W・PEAK(EIAJ)]
周波数特性	メタルテープ..... 30 Hz~19 kHz ± 3 dB ハイポジションテープ..... 30 Hz~18 kHz ± 3 dB ノーマルテープ..... 30 Hz~17 kHz ± 3 dB
S/N比	58 dB(EIAJ/ピーク録音レベル聴感補正) DOLBY-B NR ON時 10 dB 改善(5 kHz以上)
入力端子	ライン..... 100 mV(50 k ohm) × 2
出力端子	ライン..... 460 mV(3 k ohm) × 2 ヘッドホン..... 0.95 mW(8 ohms-1.2 k ohms) × 2
電 源	AC 100 V 50/60 Hz [F]
消費電力	16 W
最大外形寸法	幅..... 440 mm 高さ..... 124 mm 奥行き..... 286 mm
質 量	4.0 kg
● 付属品	オーディオコード..... 2組 リモート接続コード..... 1本 リモコン(RC455SD)..... 1個 単3乾電池(SUM-3)..... 2本



Dolby noise reduction and HX Pro headroom extension manufactured under license from Dolby Laboratories Licensing Corporation. HX Pro originated by Bang & Olufsen.
"DOLBY", the double-D  symbol and "HX PRO" are trademarks of Dolby Laboratories Licensing Corporation.

本製品のドルビーノイズリダクション及びドルビーHX Proヘッドルームエクステンションはドルビーラボラトリーズからの実施権に基づき製造されています。
HX Proヘッドルームエクステンションはバングアンドオルフセンの考案です。
Dolby、ドルビー、HX ProおよびダブルD記号  はドルビーラボラトリーズの商標です。

2. ADJUSTMENT PROCEDURE

2-1 MECHANICAL ADJUSTMENT

2-1-1 Wow and flutter (playback method)

In both FWD and REV play modes, these measurements should be made at the beginning, middle, and the end of the tape.

1. Connect a wow-and-flutter meter to the LINE OUT.
2. Load and play a TEAC MTT-111N test tape.
3. Check that readings on the wow-and-flutter meter is within 0.09 % WRMS (± 0.1 % W. PEAK).

2-1-2 Tape speed

1. Connect a frequency counter to the LINE OUT.
2. Load a TEAC MTT-111 N test tape and play in FWD direction the beginning of the test tape.
3. Adjust each variable resistor to get the following values.

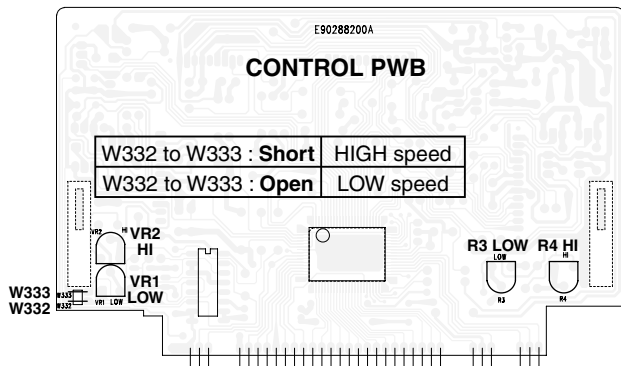


Fig. 2-1

4. In play mode, check that the following values are obtained at the beginning and end of the tape.
Speed drifting : Within 120 Hz(HIGH speed)
Within 60 Hz(LOW speed)

2-1-3 Reel torque

Load the cassette torque meter on the deck and read the pointer indication on the dial scale for each tape transport operation. The measured torque should be within the following specified values.

- Take-up : 30 to 70 g-cm
- Supply : 1.5 to 6 g-cm
- FF/REV : 70 to 150 g-cm

Torque metier

- MTT-8111W : Forward torque & back tension
- MTT-8121W : Reverse torque & back tension
- MTT-8242 : Fast forward & rewind static torque

2-1 機構部の調整

2-1-1 ワラ・フラッタ（再生法）

FWD, REV両方向でテープの巻始め、中間、巻終りを測定する。

1. LINEOUT端子にワラ・フラッタメーターを接続する。
2. テストテープMTT-111Nを再生する。
3. ワラ・フラッタ値が0.09% WRMS [±0.1% W・PEAK (EIAJ)]以下であることを確認する。

2-1-2 テープスピード

1. LINEOUT端子に周波数カウンターを接続する。
2. テストテープMTT-111Nの巻始め部をFWD方向で再生する。
3. 周波数値が下表の範囲内になるよう、各調整VRを調整する。

	Adjustment point 調整箇所	Adjustment value 調整値
PLAYBACK	HIGH speed VR2	6,000 ±30Hz
	LOW speed VR1	3,000 ±20Hz
REC/PLAY	HIGH speed R4	6,000 ±30Hz
	LOW speed R3	3,000 ±20Hz

4. 巻始めから巻終わりまで再生し、変動幅を確認する。
変動幅 : 120 Hz以内 (ハイスピード)
60 Hz以内 (ロースピード)

2-1-3 リールトルク

カセット型トルクメーターによる測定値が下記の範囲内であることを確認する。

- テイクアップトルク : 30~70 g-cm
- バックテンショントルク : 1.5~6 g-cm
- 早送り/巻戻しトルク : 70~150 g-cm

トルクメーター

- MTT-8111W : 巻取りトルクとバックテンション(FWD用)
- MTT-8121W : 巻取りトルクとバックテンション(REV用)
- MTT-8242 : 早送り/巻戻しトルク

2-2 ELECTRICAL ADJUSTMENT

2-2-1 Precautions

- Before performing adjustments and checks clean and demagnetize the entire tape path.
- In general, adjustments and checks are made in the order of Lch then Rch. Double REF. Nos. indicate Lch/Rch. (Example R11/R21)
- 0dB is referenced to 0.775V.
- The AC voltmeter used in the procedures must have an input impedance of 1 MΩ or more.
- Unless specified otherwise, adjustments and checks are made in FWD direction.

2-2 アンプ部の調整

2-2-1 注意

- アンプ部の調整・確認の前に、テープ走行系の消磁と清掃を行なってください。
- 特に指定のない限り、調整はLch、Rchの順序で行なってください。尚、R11/R21のように記されている回路番号はLch/Rchを示します。
- 0dBは0.775Vです。
- 測定に使用するレベル計の入カインピーダンスは、1MΩ以上のものを使用してください。
- 特に指定のない場合、調整および確認はFWD方向で行なってください。

2-2-2 Adjustment locations

2-2-2 調整

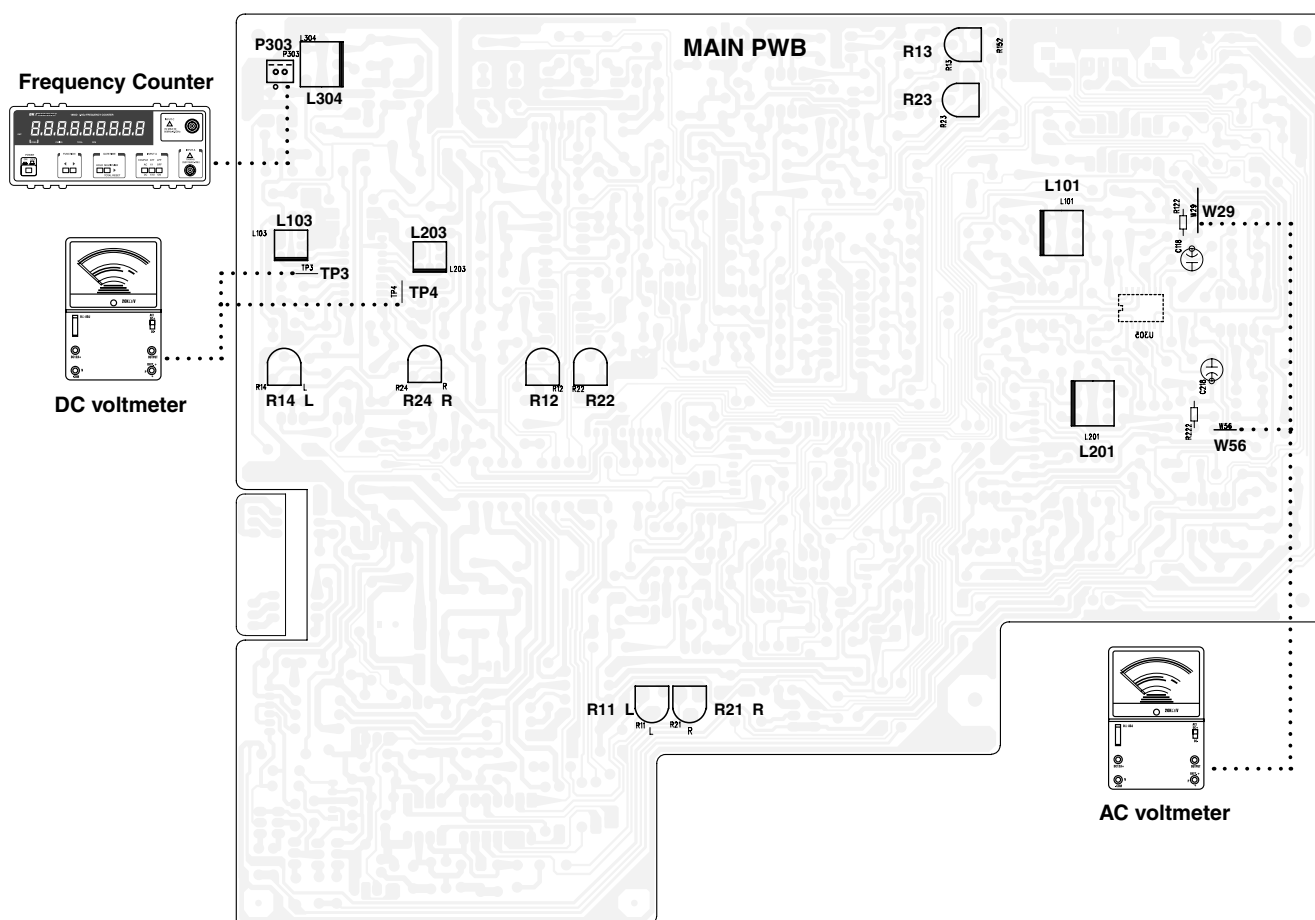


Fig. 2-2

2-2-3 Playback performance

再生系

Deck settings :

Mode : PLAY

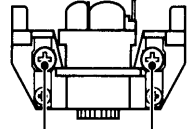


DOLBY NR Switch : OFF

TEAC test tapes :

MTT-150C : For Dolby level calibration

MTT-25702 : For playback frequency response check
NORMAL tape

MTT-5513 : For S/N check NORMAL tape

ITEM 項目	SETTING 設定	INPUT SIGNAL 入力信号	ADJUSTMENTS 調整箇所	MEASURING POINTS, RESULT 測定箇所・調整値	REMARKS 備考
1. Head azimuth adjustment アジマス調整	Connection : Fig. 2-4 Check and adjust in FWD, REV respectively FWD、REVそれぞれ 調整・確認	MTT-150C	Check	LINE OUT : Phase : within 45° 位相 : 45°以内 (Fig. 2-5)	 FWD azimuth REV azimuth
		MTT-25702 (12.5 kHz)	Azimuth screws アジマス調整 ねじ	LINE OUT: Maximum output level at L & R -ch Lch, Rchとも 出力最大	
2. DOLBY level ドルビー レベル	Connection : Fig. 2-2 FWD, PLAY	MTT-150C	R11 / R21 R12 / R22	TP1(W29) / TP2(W56) : - 6 dB	PLAYBACK(DECK I) REC/PLAY(DECK II)
3. Playback output level 再生出力 レベル	Connection : Fig. 2-3 FWD/REV PLAY	MTT-150C	Check	LINE OUT : - 4.5 ± 1 dB	Ref. output level 基準出力レベル
4. Meter level メーター レベル		MTT-150C	Check	LEVEL METER :  mark ± 1dot	
5. PHONES output level PHONES 出力レベル		MTT-150C	Check	PHONES : - 19 ± 3 dB	8 Ω load 8 Ω 負荷
6. Playback frequency response 再生周波数 特性	Connection : Fig. 2-3	MTT-25702	Check	 + 4 dB - 4 dB 250 1k 12.5k (Hz)	
7. Playback S/N ratio 再生S/N比	Connection : Fig. 2-3	MTT-5513 Playback the leader tape portion リーダーテープ 部を再生	Check	46 dB min.	Ratio of ref. level to noise 基準出力レベルと ノイズの比

2-2-4 Recording performance

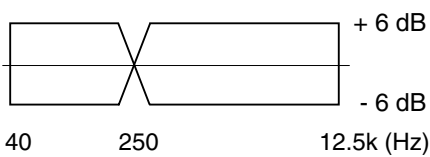
録音系

Deck settings :

Mode : REC/PLAY
 DOLBY NR Switch : OFF
 REC LEVEL Control : Specified position (Item8)

TEAC recording test tapes:

MTT-5513 : For NORMAL
 MTT-5563 : For HIGH position

ITEM 項目	SETTING 設定	INPUT SIGNAL 入力信号	ADJUSTMENTS 調整箇所	MEASURING POINTS, RESULT 測定箇所・調整値	REMARKS 備考
8. Specified LINE input level ライン規定 入力レベル	Connection : Fig. 2-3 Mode : REC	LINE IN : 400 Hz / - 9 dB	REC LEVEL	LINE OUT : - 4.5 dB	After adjusting, do not move (Specific position) 調整後は動かさない こと (規定位置)
9. Bias osc frequency バイアス発振 周波数	Connection : Fig. 2-2 TAPE : MTT-5513 Mode : REC	LINE IN : No signal 無信号	L301	P303 Pin 2 : 100 kHz	
10. Step up coil ステップ アップコイル	Connection : Fig. 2-2 TAPE : MTT-5563 Mode : REC	LINE IN : No signal 無信号	L103 / L203	TP3 / TP4 : Min. DC voltage DC電圧最小	
11. Record bias 録音バイアス	Connection: Fig. 2-3 TAPE : MTT-5513	LINE IN : 250 Hz / 10 kHz - 42 dB	R14 / R24	LINE OUT : Nearly equal level at both frequencies 両周波数の録再出力 が同レベル (± 0.5 dB)	
12. MPX filter MPX フィルター	Connection : Fig. 2-3 Mode : REC	LINE IN : 19 kHz / - 12 dB	L101 / L201	30 dB min.	Ratio of ref. level to signal 基準出力レベル に対する比
13. Record level 録音レベル	Connection : Fig. 2-3 TAPE : MTT-5513	LINE IN : 400 Hz / - 12 dB	R13/R23	LINE OUT: - 7.5 ± 1 dB	
	TAPE : MTT-5563		Check	LINE OUT: - 7.5 ± 1 dB	
14. Total harmonic distortion 総合歪率	Connection : Fig. 2-3 TAPE : MTT-5513 MTT-5563	LINE IN : 400 Hz / - 12 dB	Check	NORMAL : 2.0 % or less HIGH pos. : 2.5 % or less METAL : 3.0 % or less	
15. Overall frequency response 録再周波数 特性	Connection : Fig. 2-3 TAPE : MTT-5513 MTT-5563	LINE IN : 40 Hz ~ 12.5 kHz - 42 dB	Check		
16. Overall S/N ratio 総合S/N比	Connection : Fig. 2-3 TAPE : MTT-5513 MTT-5563	LINE IN : No signal 無信号	Check	NORMAL : 45 dB min. HIGH pos. : 46 dB min. METAL : 46 dB min.	Ratio of ref. level to noise 基準出力レベル とノイズの比

ITEM 項目	SETTING 設定	INPUT SIGNAL 入力信号	ADJUSTMENTS 調整箇所	MEASURING POINTS, RESULT 測定箇所・調整値	REMARKS 備考
17. Erase efficiency 消去率	Connection : Fig. 2-3 TAPE: MTT-5563 1kHz B.P.F in	LINE IN : 1 kHz / + 1 dB	Check	65 dB min.	Ratio of the 1 kHz recorded portion to the erased portion. 未消去部分と 消去部分の比
18. REC MUTE function REC MUTE 効果	Connection : Fig. 2-3 TAPE: MTT-5563 1kHz B.P.F in	LINE IN : 1 kHz / + 1 dB	Check	55 dB min.	Ratio of the 1 kHz recorded portion to the "REC MUTE" portion. 録音部分と REC MUTE" 部分の比
19. Channel separation チャンネル セパレーション	Connection : Fig. 2-3 TAPE : MTT-5563 1kHz B.P.F in	LINE IN : Lch 1 kHz / - 9 dB Rch No signal 無信号	Check	35 dB min.	Ratio of Lch (1kHz) to Rch(no signal). Lch(1kHz) と Rch(無 信号) の比
20. Adjacent track crosstalk トラック間 クロストーク	Connection : Fig. 2-3 TAPE : MTT-5563	LINE IN : Lch No signal 無信号 Rch 125Hz / - 9 dB	Check	40 dB min.	Invert tape and play Rch track. Check leakage level against the output reference of previously recorded portion. テープを反転して再 生した時の Rch 出力 レベルの比

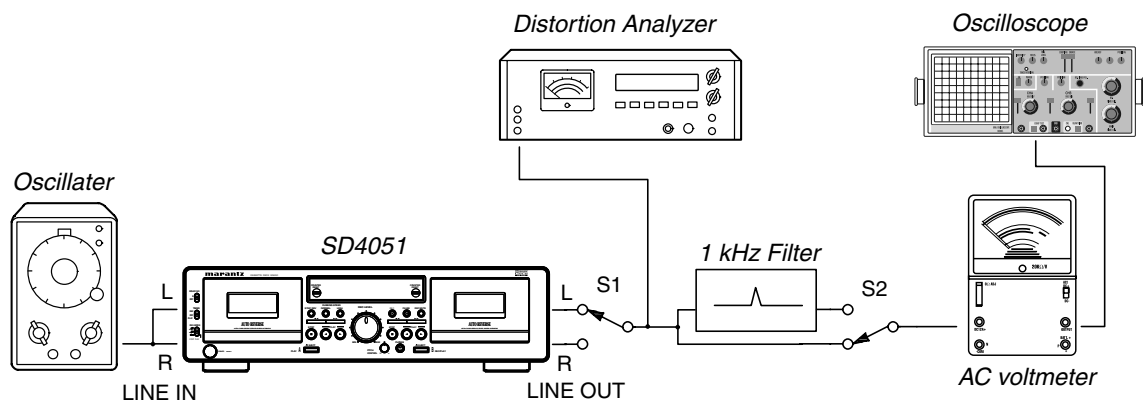


Fig. 2-3

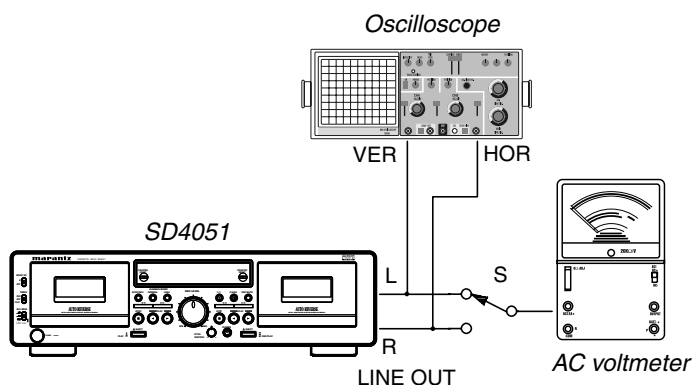


Fig. 2-4

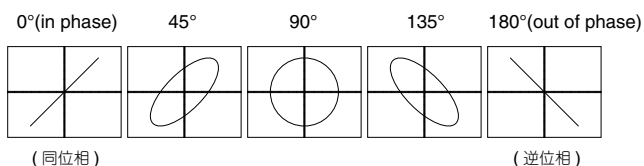
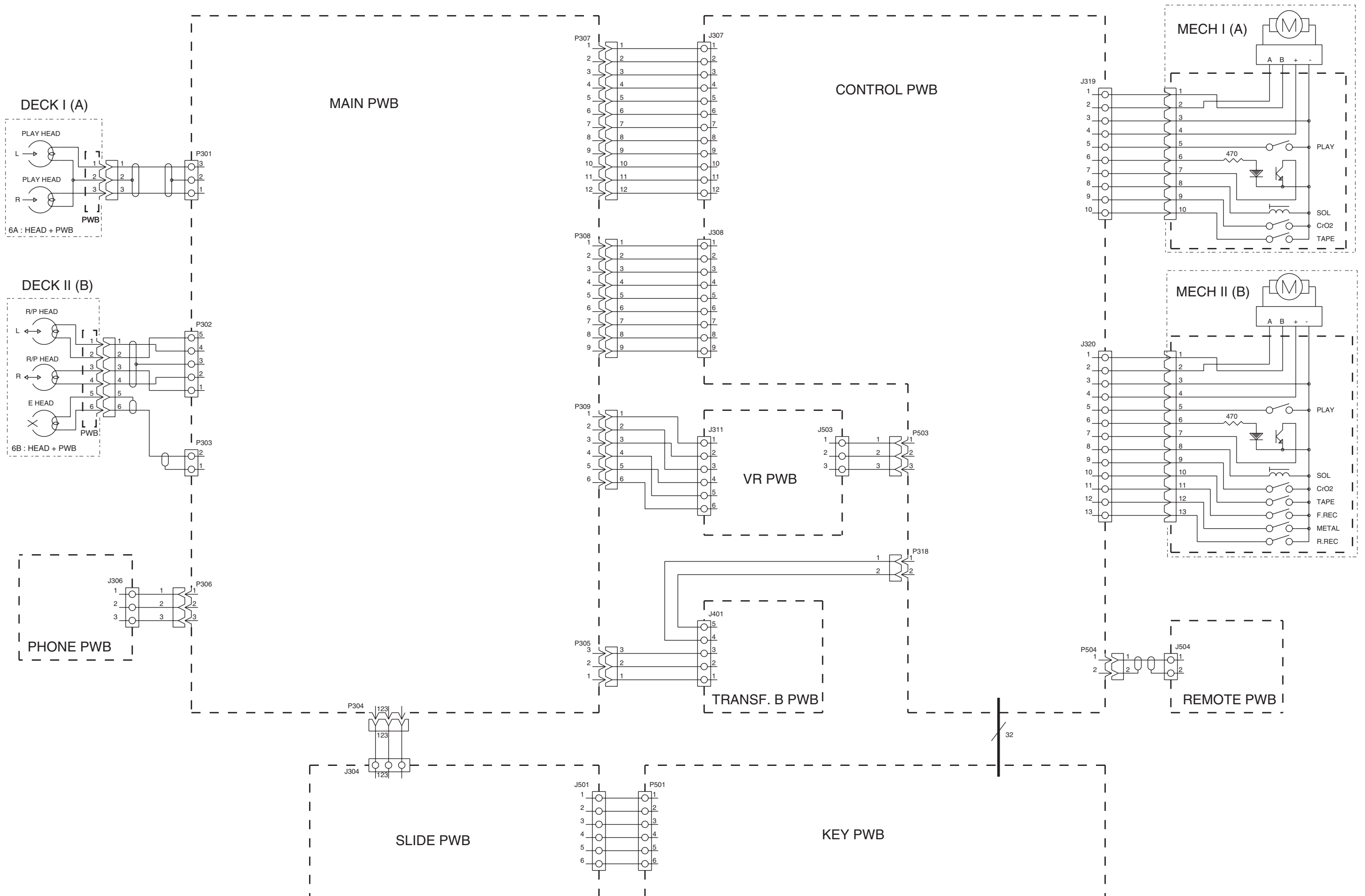
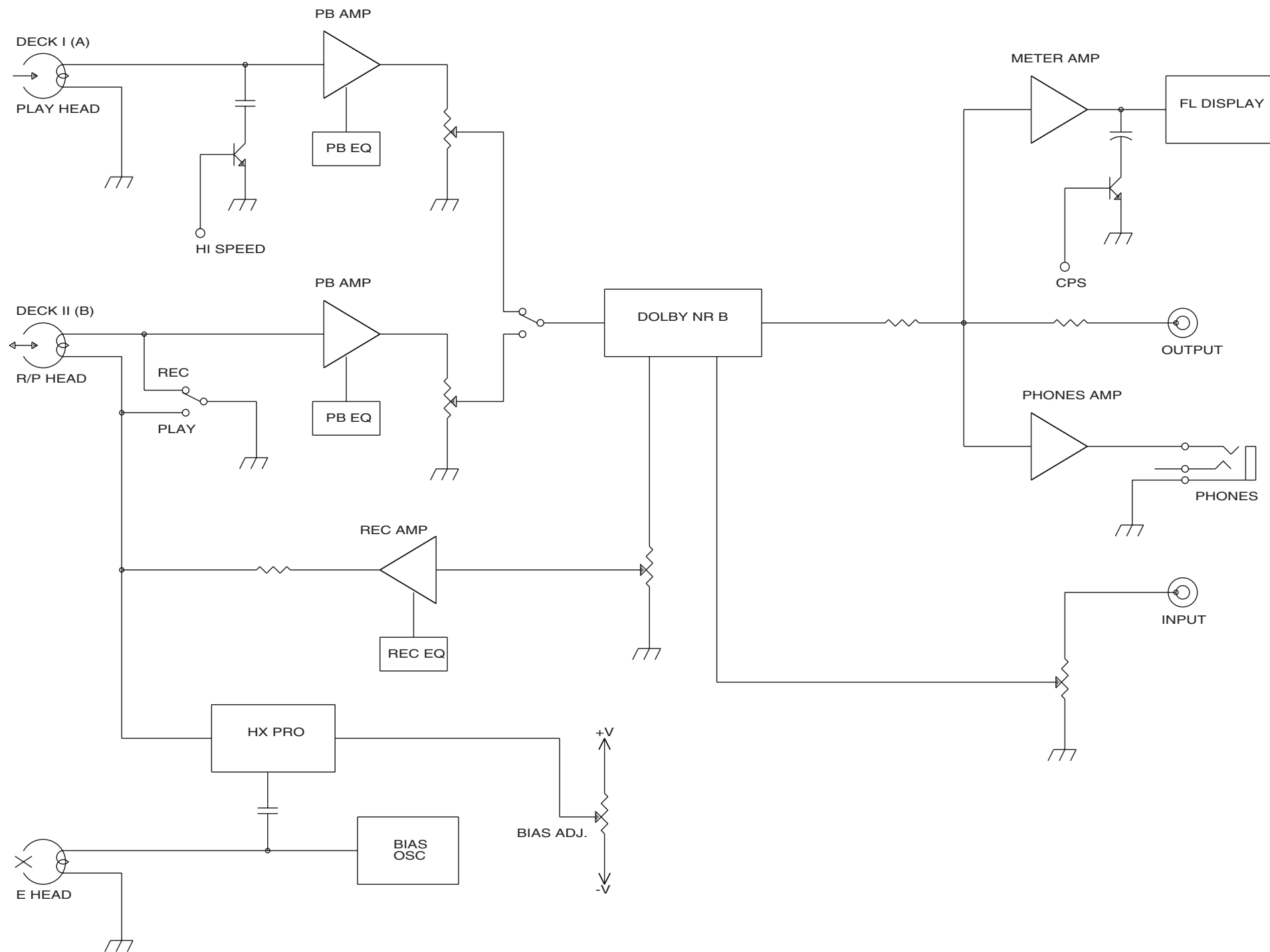


Fig. 2-5

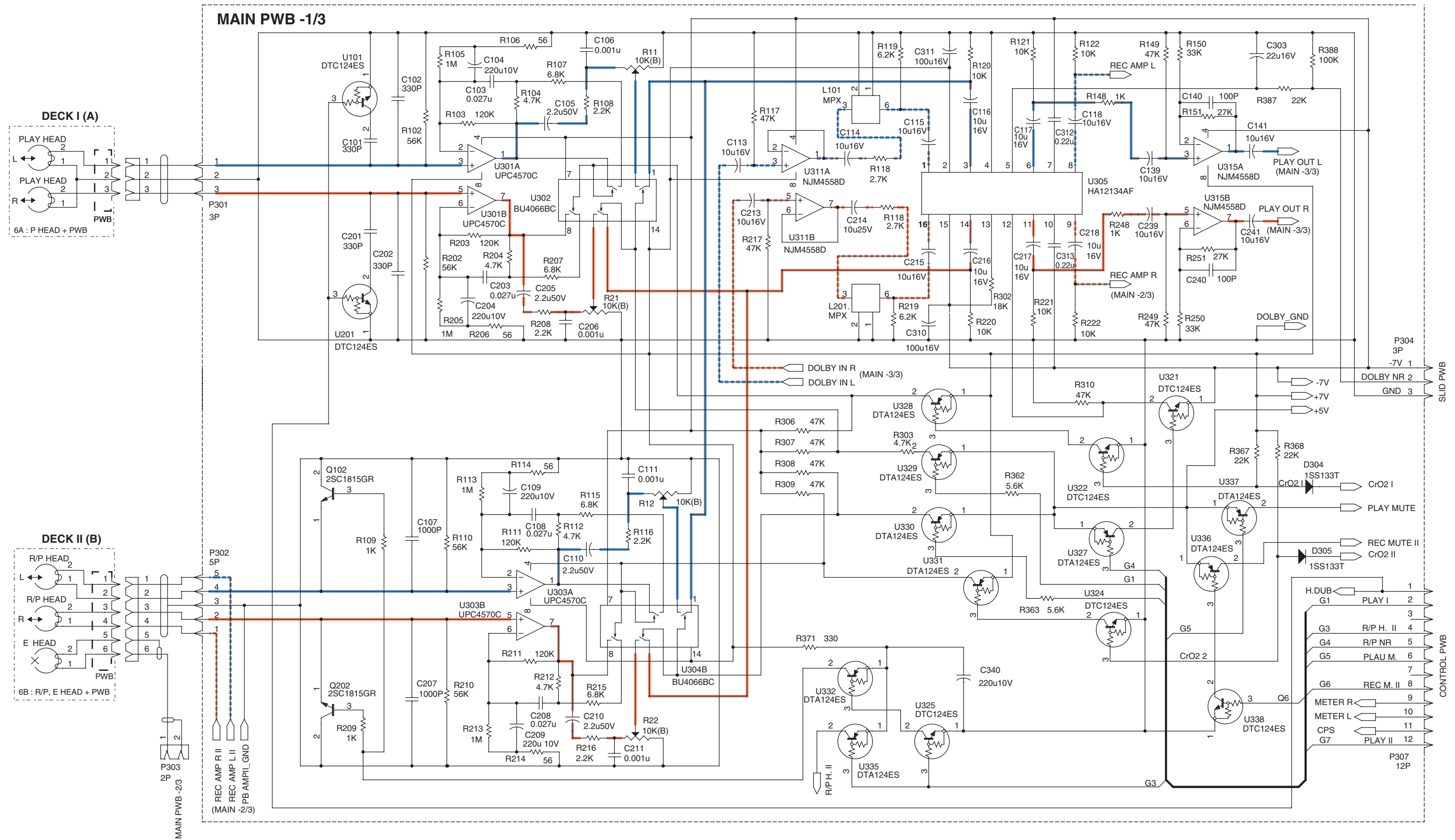
3. WIRING DIAGRAM



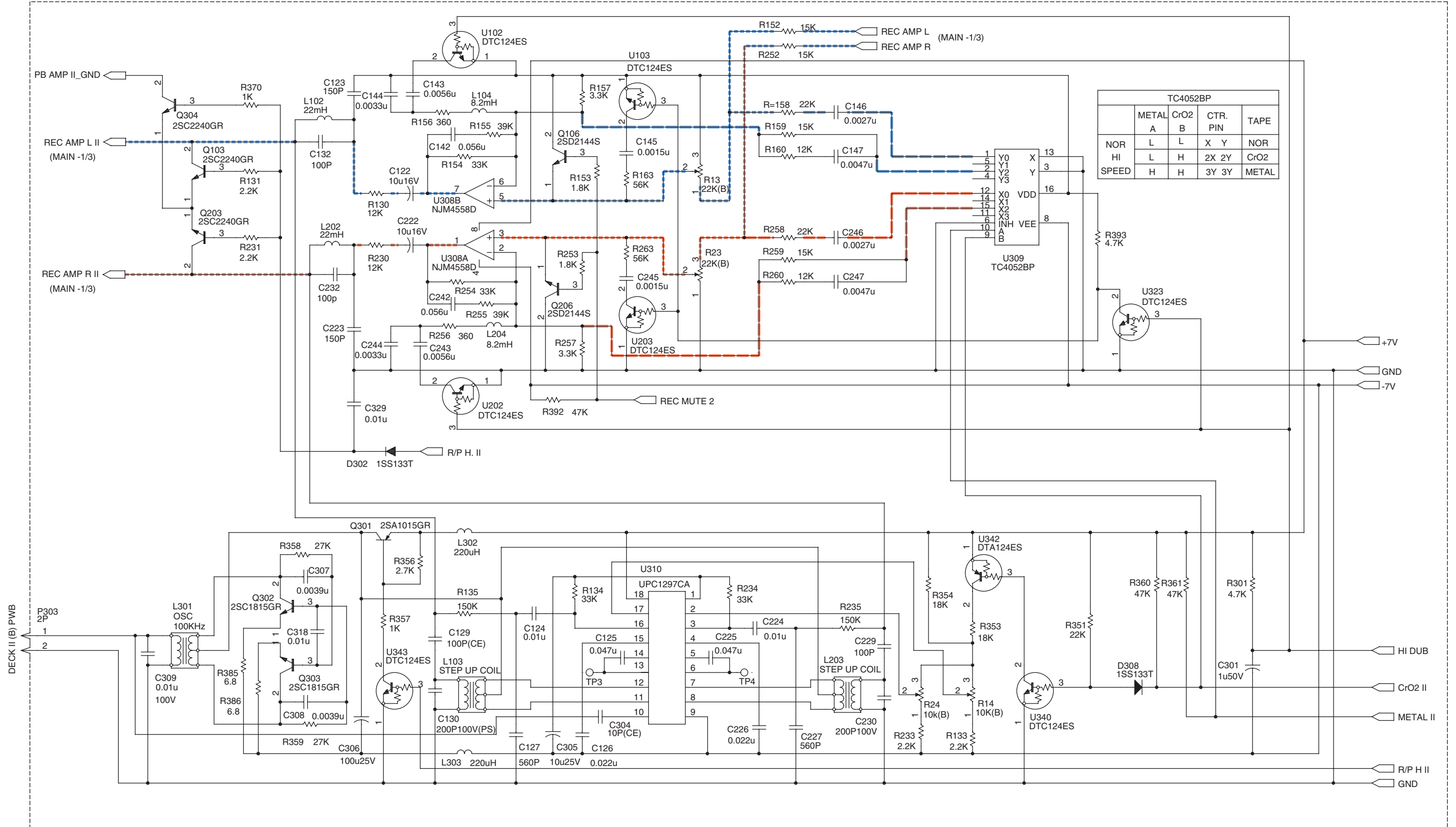
4. BLOCK DIAGRAM



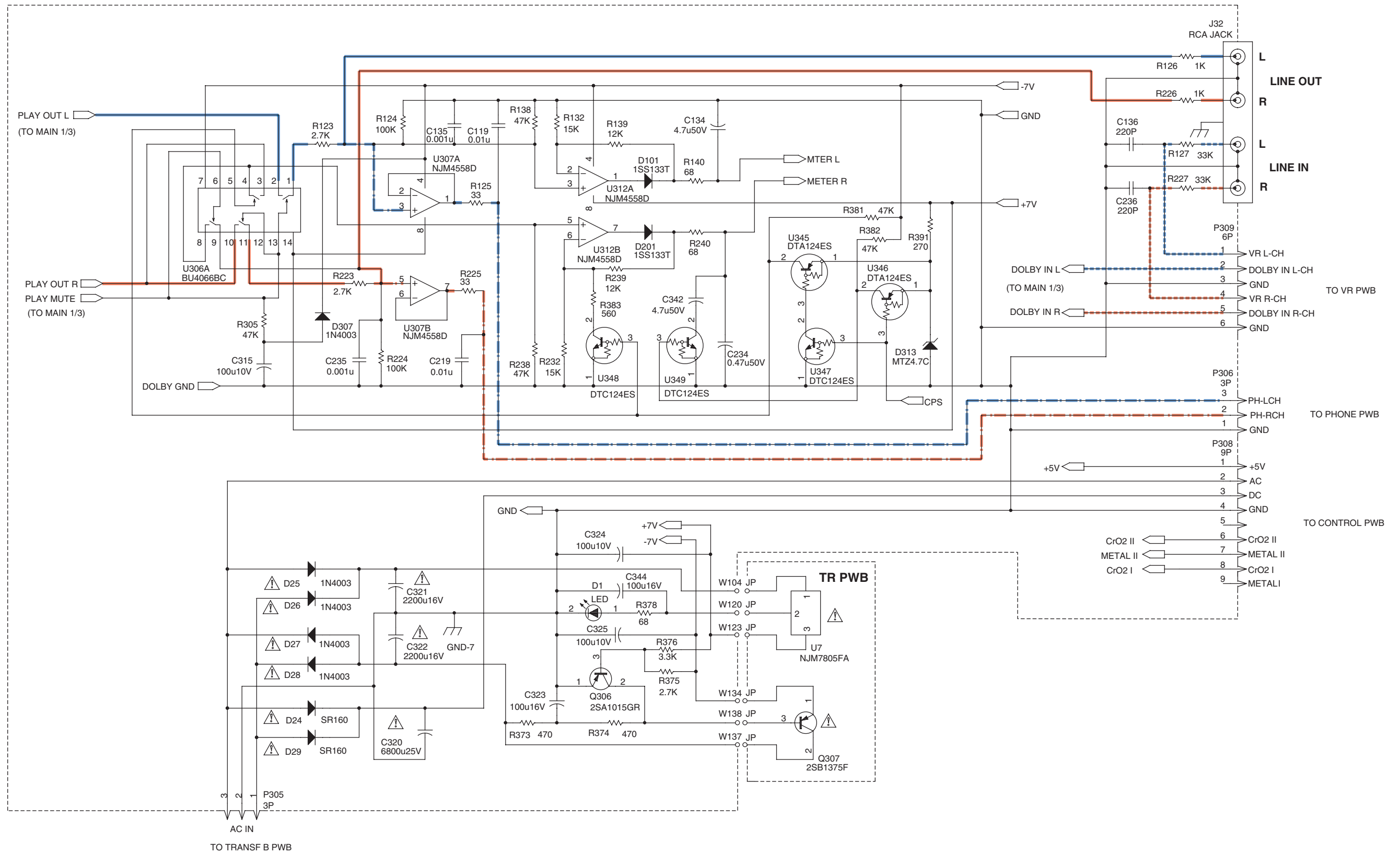
5. SCHEMATIC DIAGRAM

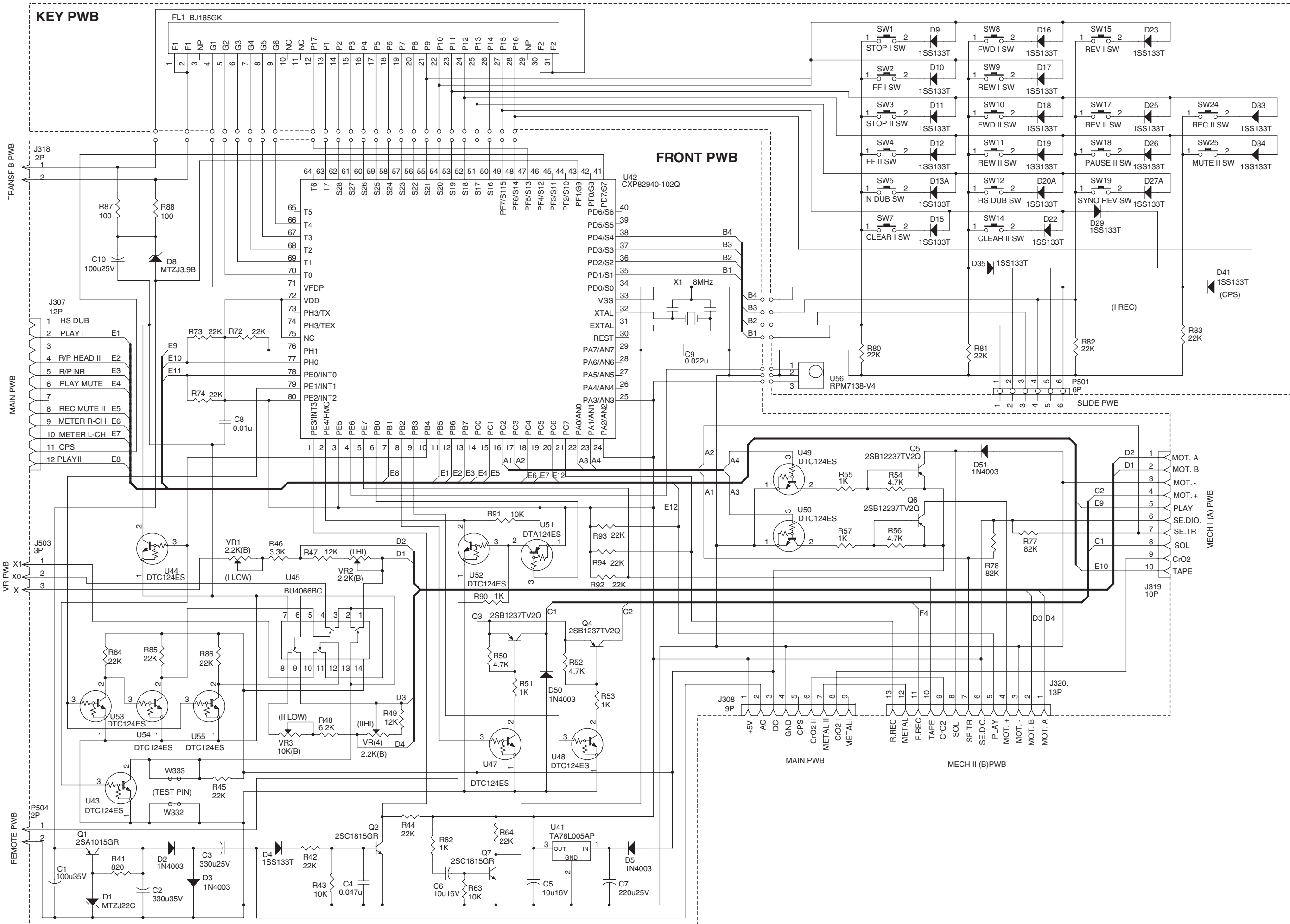


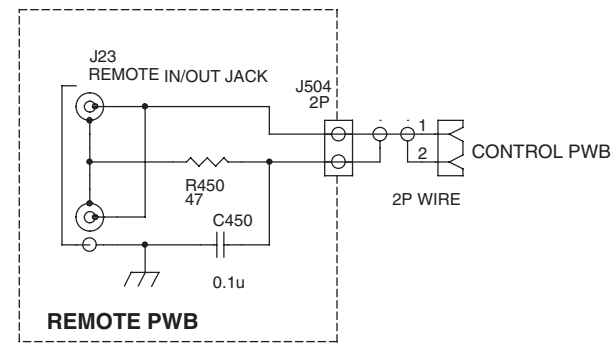
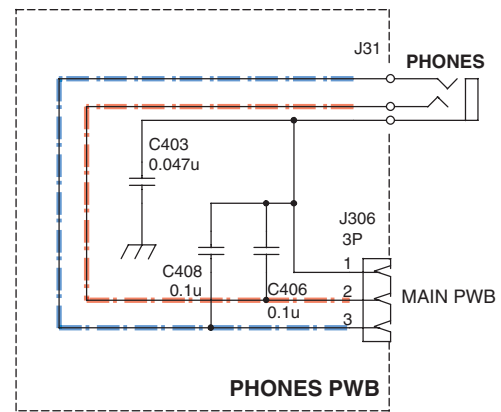
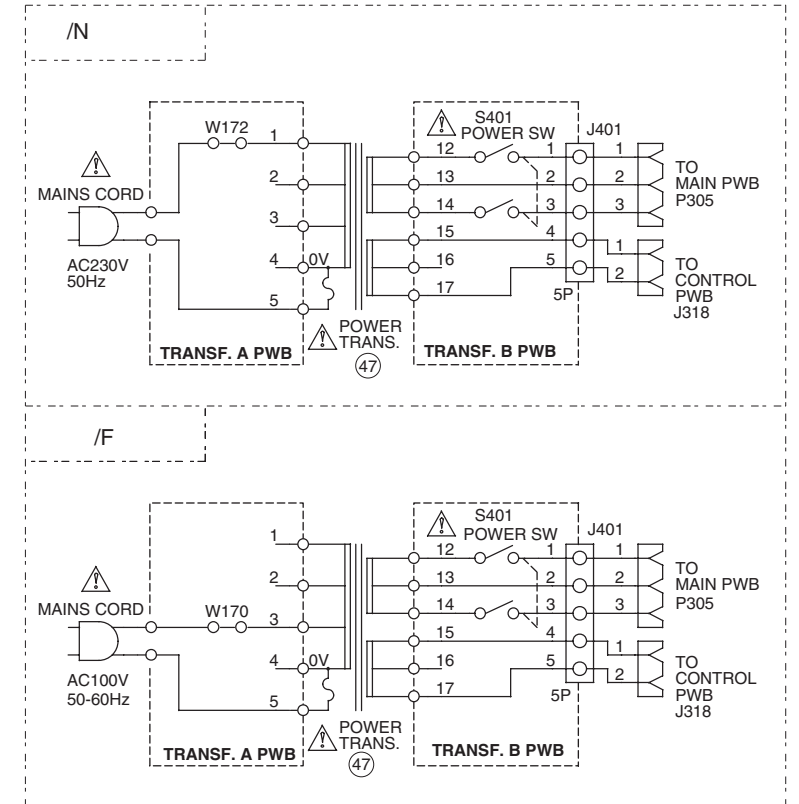
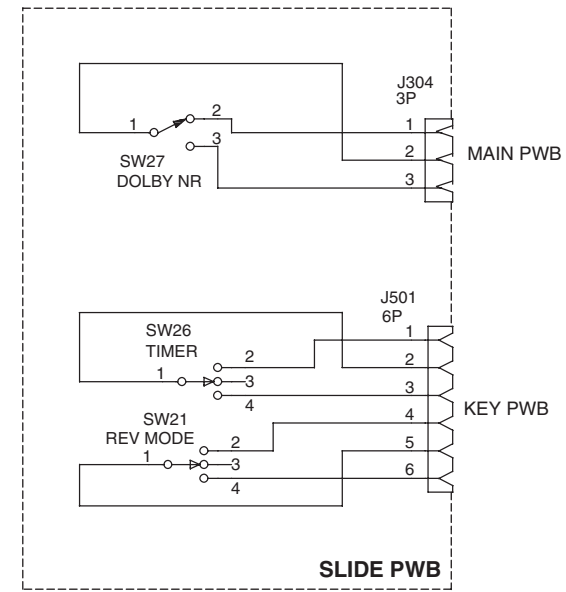
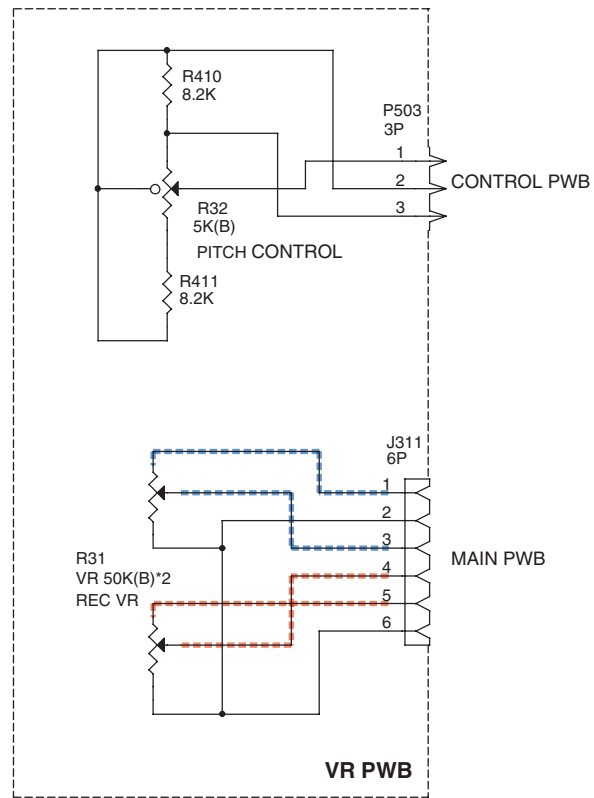
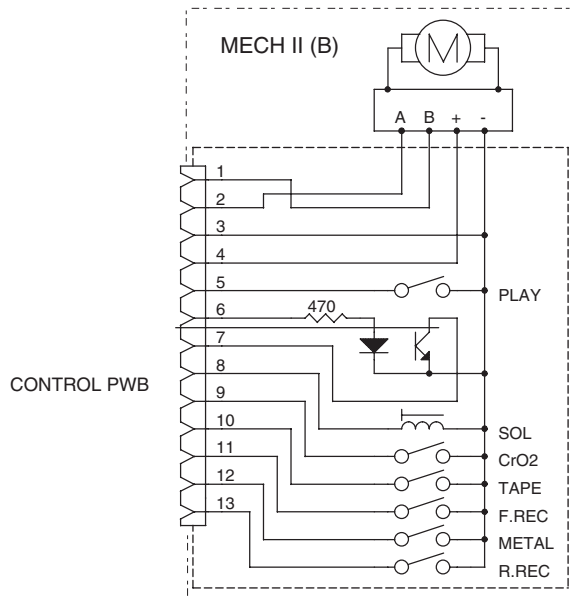
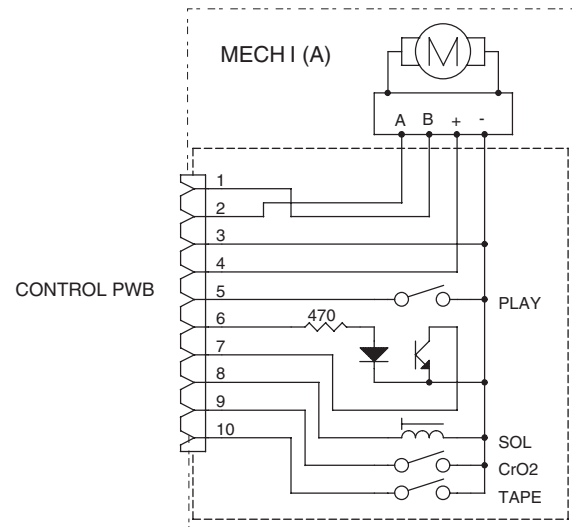
MAIN PWB -2/3



MAIN PWB -3/3

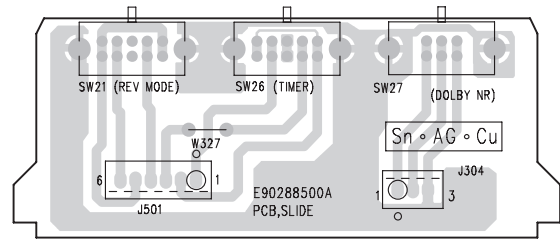




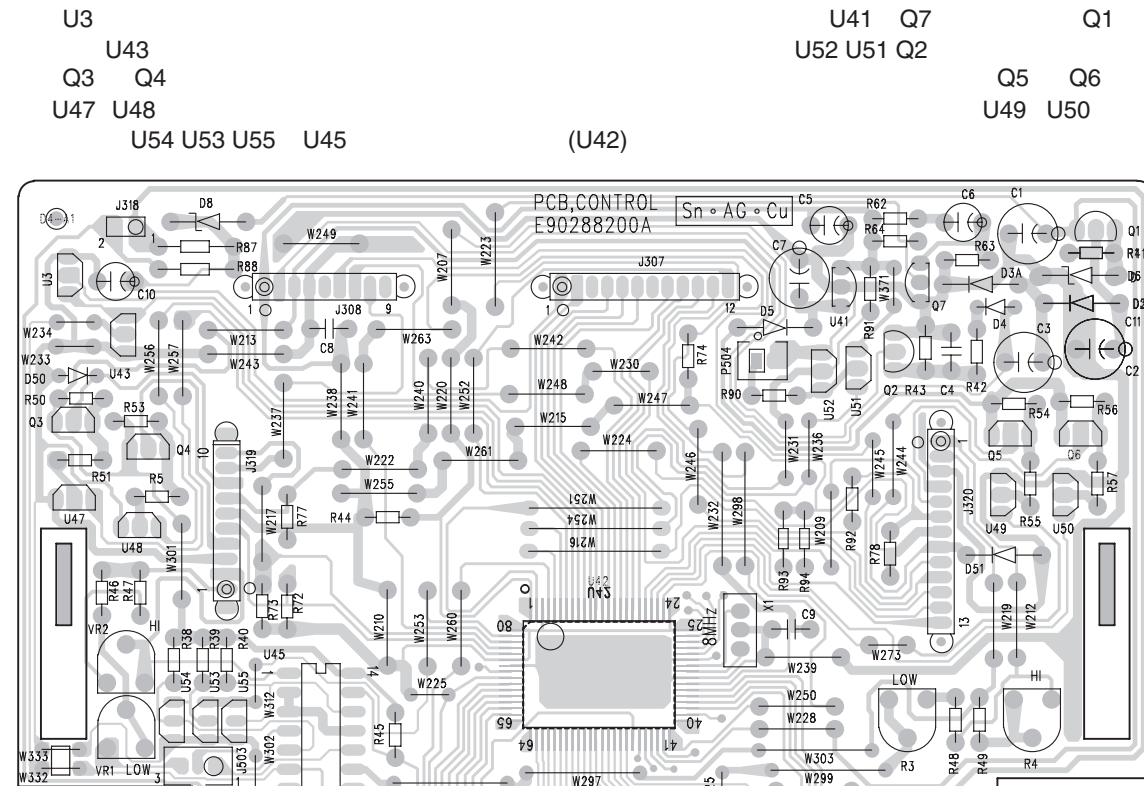


6. PARTS LOCATION

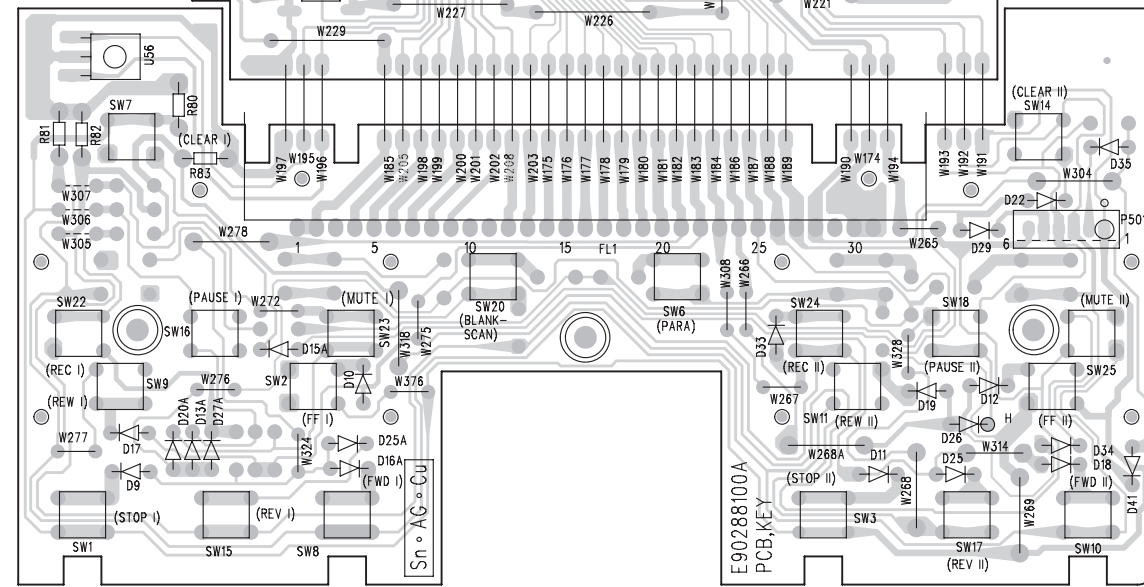
SLIDE PWB



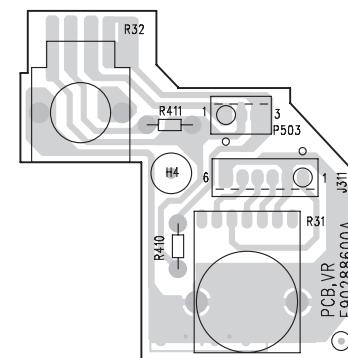
CONTROL PWB



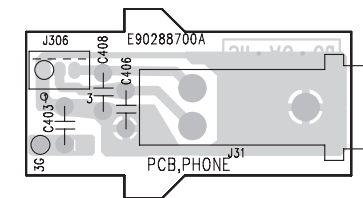
KEY PWB



VR PWB



PHONE PWB



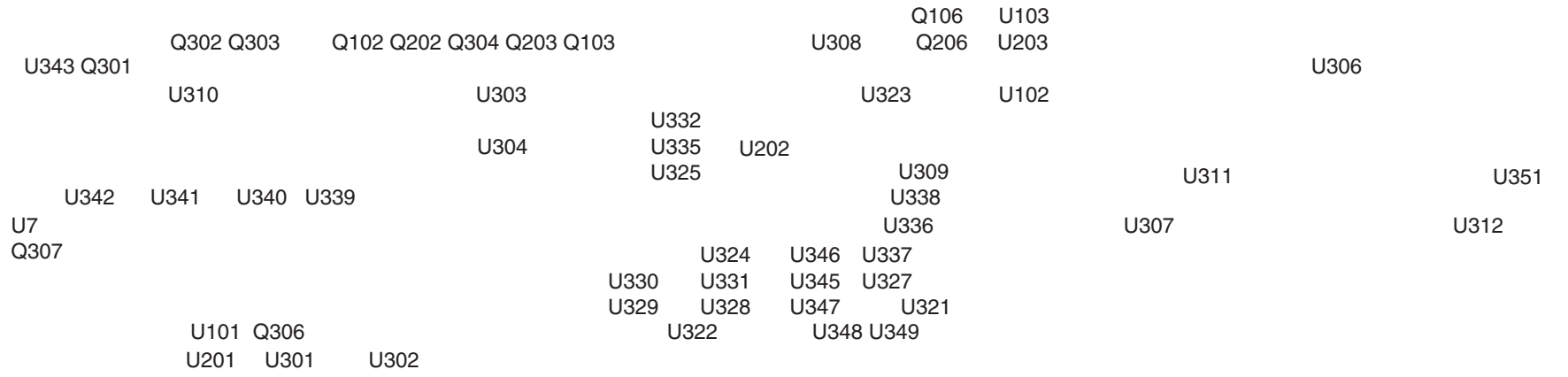
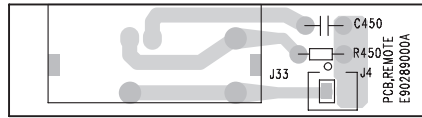
鉛フリー半田

半田付けには、鉛フリー半田 (Sn-Ag-Cu) を使用してください。

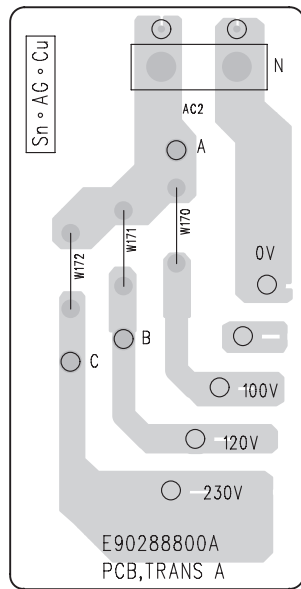
Lead-free Solder

When soldering, use the Lead-free Solder (Sn-Ag-Cu).

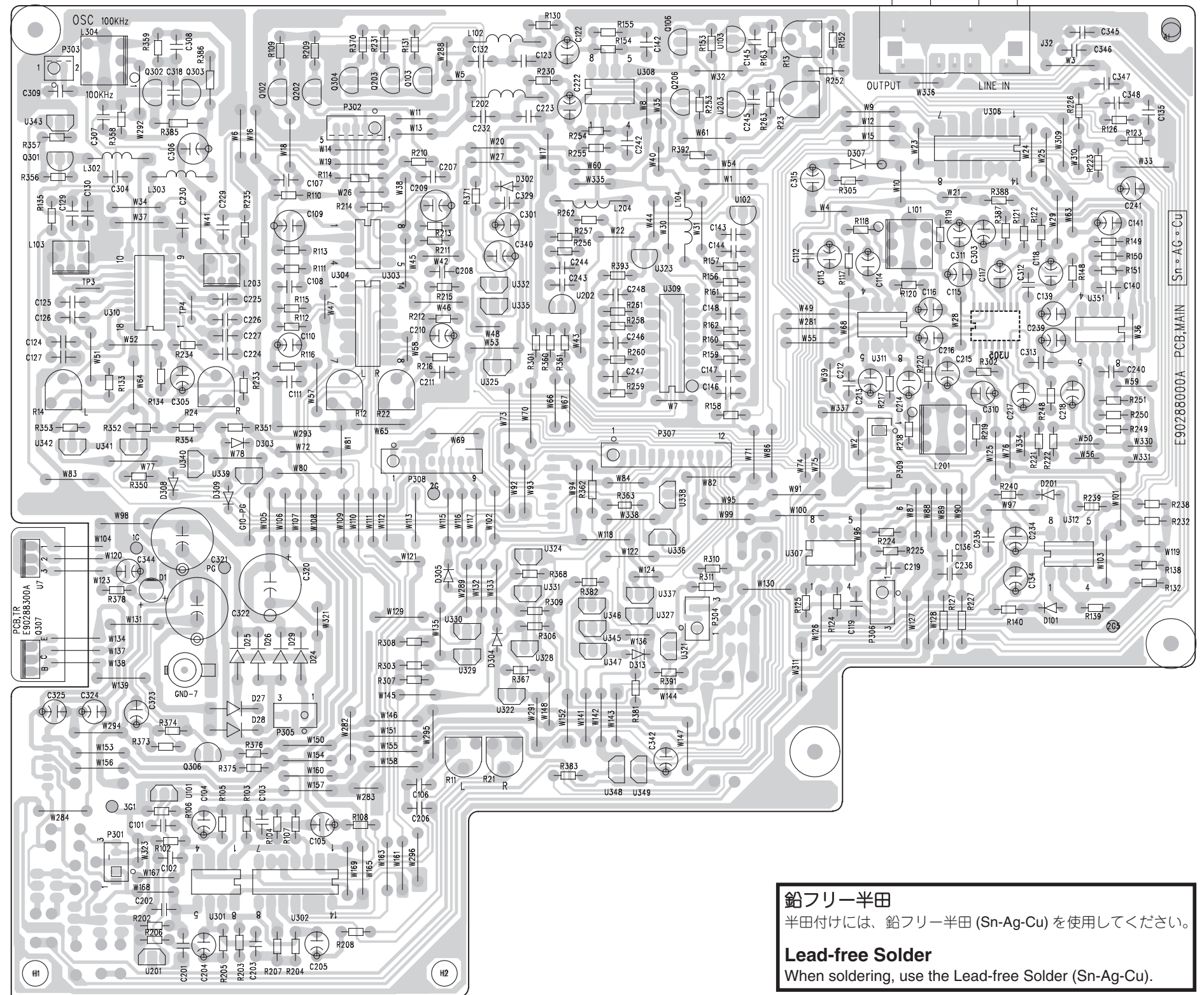
REMOTE PWB



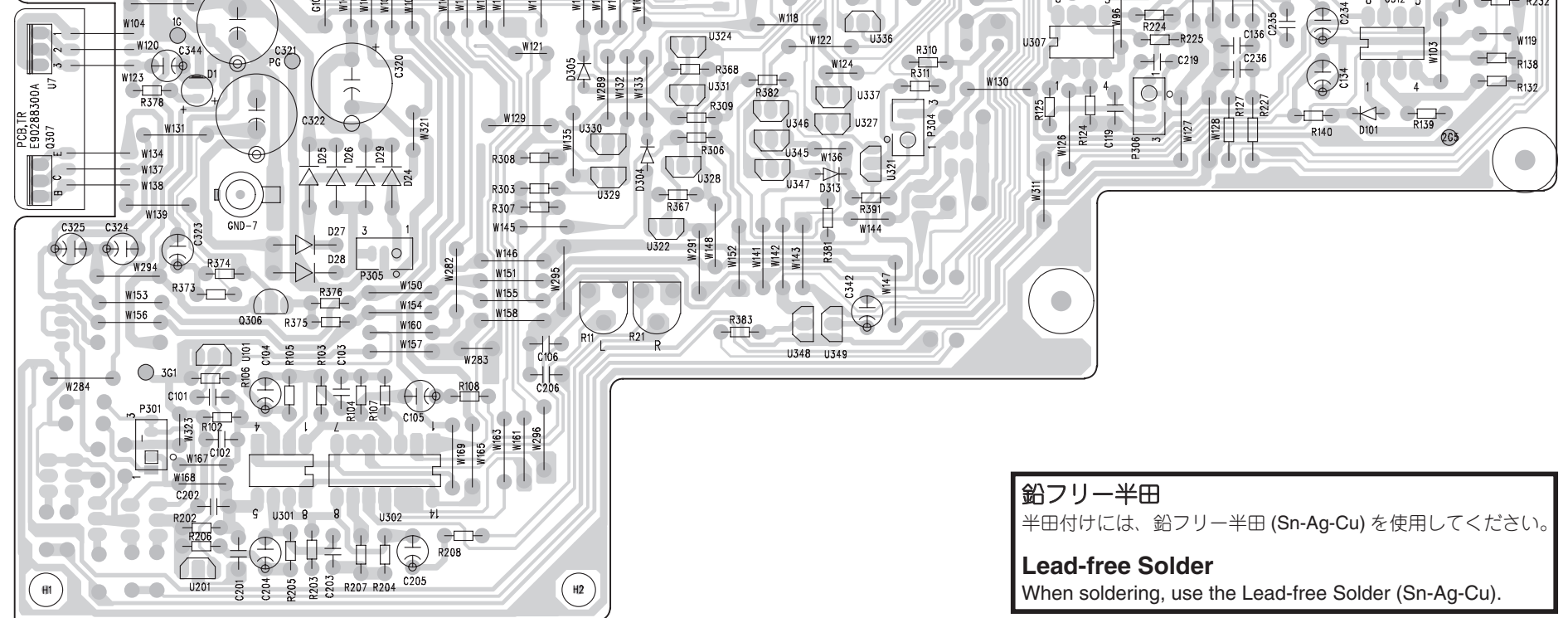
TRANSF. A PWB



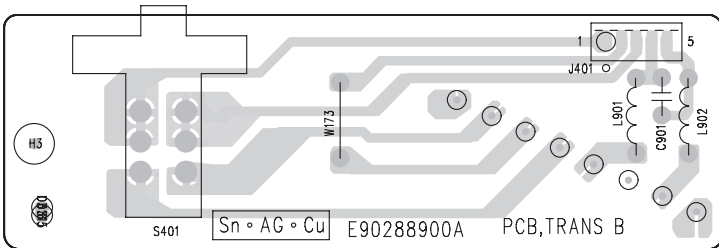
MAIN PWB



TR PWB



TRANSF. B PWB



鉛フリー半田
半田付けには、鉛フリー半田 (Sn-Ag-Cu) を使用してください。
Lead-free Solder
When soldering, use the Lead-free Solder (Sn-Ag-Cu).

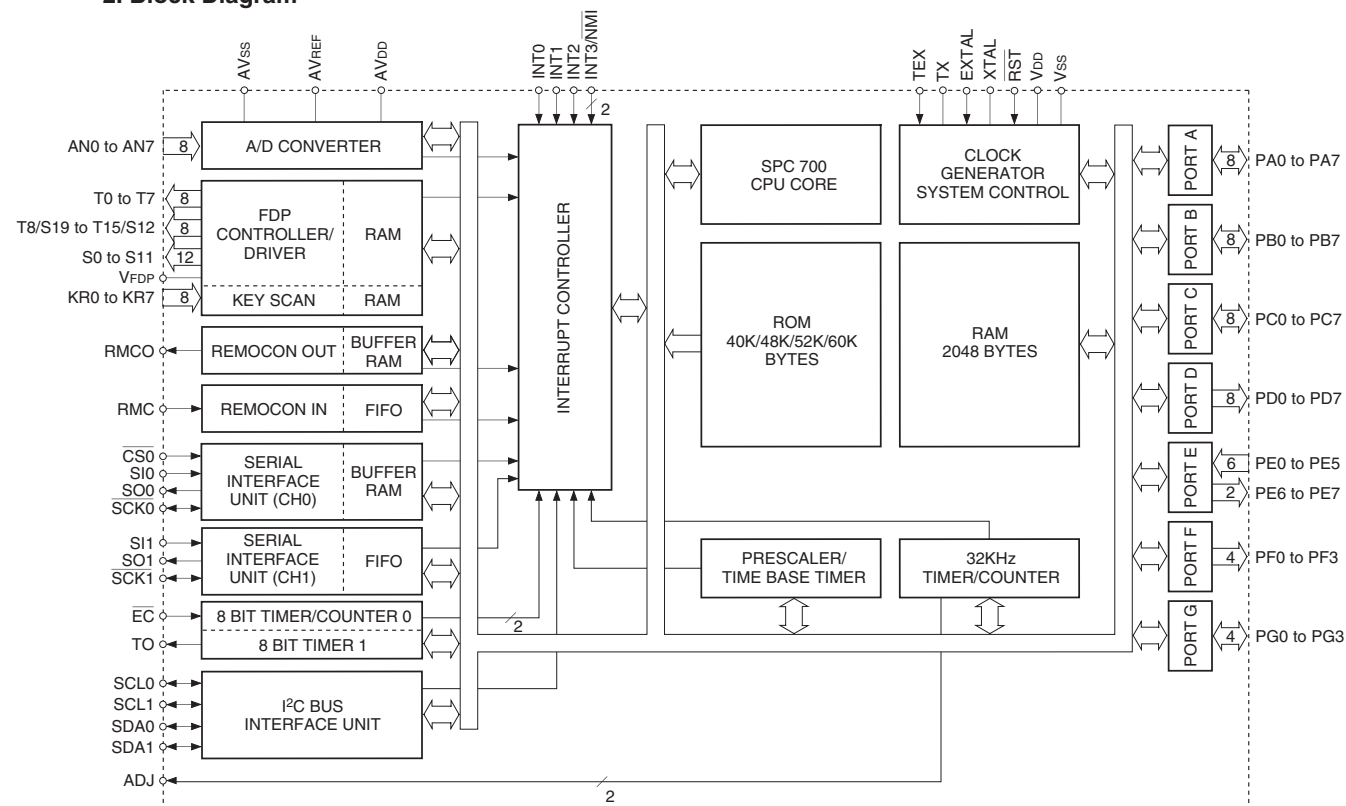
7. MICROPROCESSOR AND IC DATA

U42 : CXT82940

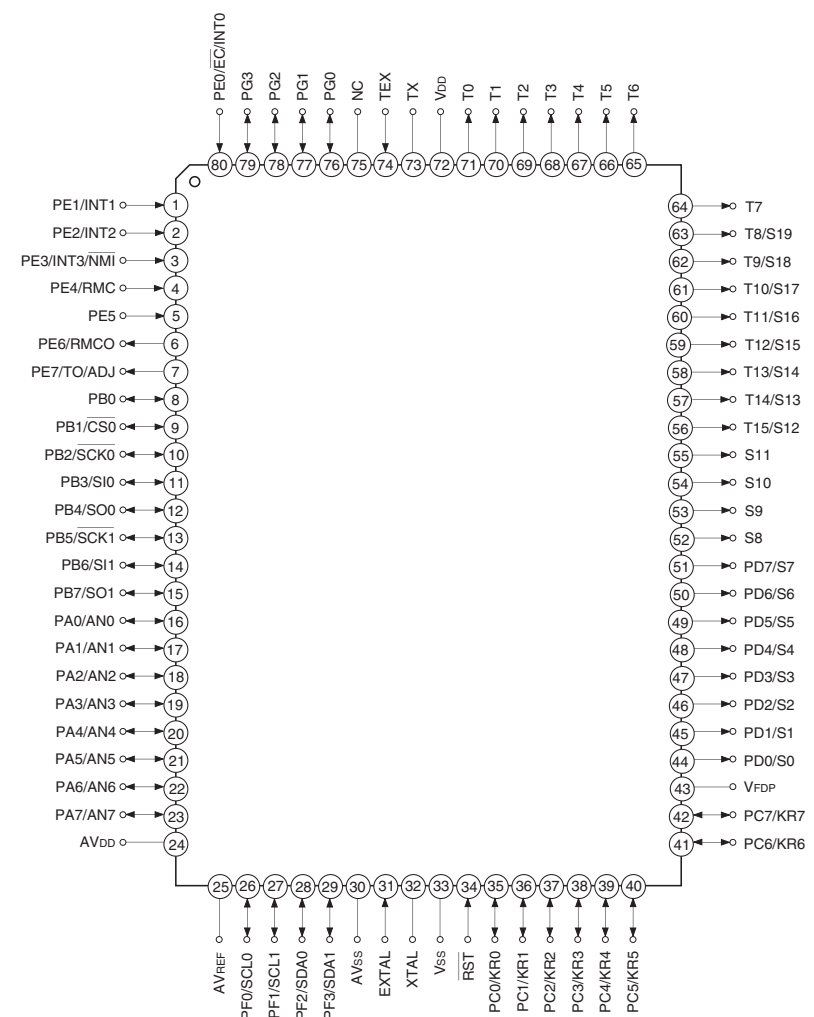
1. Pin Functions

Pin code	I/O	Functions
PA0/AN0 to PA7/AN7	I/O/ Analog input	(Port A) 8-bit I/O port. I/O can be set in a unit of single bits. Incorporation of pull-up resistor can be set through the software in a unit of 4 bits. (8 pins) Analog inputs to A/D converter. (8 pins)
PB0	I/O	(Port B) 8-bit I/O port. I/O can be set in a unit of single bits. Incorporation of pull-up resistor can be set through the software in a unit of 4 bits. (8 pins) Chip select input for serial interface (CH0). Serial clock I/O (CH0). Serial data input (CH0). Serial data output (CH0). Serial clock I/O (CH1). Serial data input (CH1). Serial data output (CH1).
PB1/ $\overline{CS0}$	I/O/Input	
PB2/ $\overline{SCK0}$	I/O/I/O	
PB3/SI0	I/O/Input	
PB4/SO0	I/O/Output	
PB5/ $\overline{SCK1}$	I/O/I/O	
PB6/SI1	I/O/Input	
PB7/SO1	I/O/Output	
PC0/KR0 to PC7/KR7	I/O/Input	(Port C) 8-bit I/O port. I/O can be set in a unit of single bits. Capable of driving 12mA sync current. Incorporation of pull-up resistor can be set through the software in a unit of 4 bits. (8 pins) Serves as key return inputs when operating key scan with fluorescent display panel (FDP) segment signal (8 pins).
PE0/ $\overline{INT0}/\overline{EC}$	Input/Input/Input	(Port E) 8-bit port. Lower 6 bits are for inputs; upper 2 bits are for outputs. (8 pins) Inputs for external event inputs for timer/counter. Inputs for external interruption request. (4 pins) Non-maskable interruption request input. Remote control reception circuit input. Carrier output of remote control transmission circuit. Output for the timer/counter rectangular waves, and 32kHz oscillation dividing frequency.
PE1/ $\overline{INT1}$	Input/Input	
PE2/ $\overline{INT2}$	Input/Input	
PE3/ $\overline{INT3}/\overline{NMI}$	Input/Input/Input	
PE4/RMC	Input/Input	
PE5	Input	
PE6/RMCO	Output/Output	
PE7/ $\overline{TO}/\overline{ADJ}$	Output/Output/Output	
PF0/SCL0 PF1/SCL1	Output/I/O	(Port F) 4-bit output port, operating as N-ch open drain output for large current (12mA). (4 pins) Transfer clock I/Os for I ² C bus interface.
PF2/SDA0 PF3/SDA1	Output/I/O	Transfer data I/Os for I ² C bus interface.
PG0 to PG3	I/O	(Port G) 8-bit I/O port. I/O can be set in a unit of single bits. Incorporation of pull-up resistor can be set through the software in a unit of 4 bits. (4 pins)
PD0/S0 to PD7/S7	Output/Output	(Port D) 8-bit output ports. (8 pins) FDP segment signal outputs. (8 pins)
S8 to S11	Output	FDP segment signal outputs. (4 pins)
T8/S12 to T15/S19	Output/Output	Outputs for FDP timing signals/segment signals. (8 pins)
T0 to T7	Output	FDP timing signal outputs.
V _{FDP}		FDP voltage supply when incorporated resistor is set by mask option.
EXTAL	Input	Crystal connectors for system clock oscillation. When the clock is supplied externally, input to EXTAL; opposite phase clock should be input to XTAL.
XTAL	Output	
TEX	Input	Crystal connectors for 32kHz timer/counter clock oscillation. Set 32kHz crystal oscillator between TEX and TX. For usage as event input, attach clock source to TEX, and open TX.
TX	Output	
RST	Input	Low-level active, system reset.
NC		NC. Under normal operation, connect to V _{DD} .
AV _{DD}		Positive power supply for A/D converter.
AV _{REF}	Input	Reference voltage input for A/D converter.
AV _{SS}		A/D converter GND.
V _{DD}		Positive power supply.
V _{SS}		GND.

2. Block Diagram



3. Pin Configuration

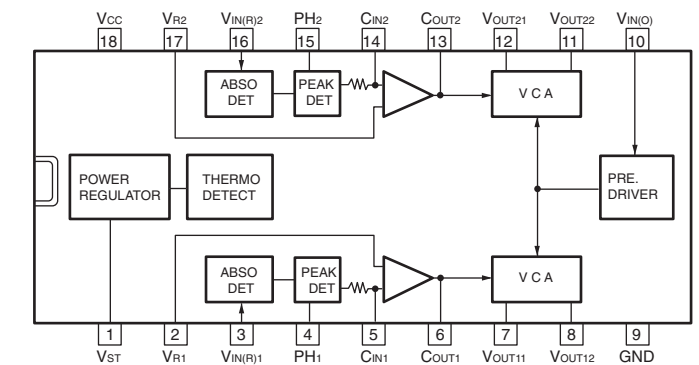


Note) NC (Pin 75) must be connected to V_{DD}.

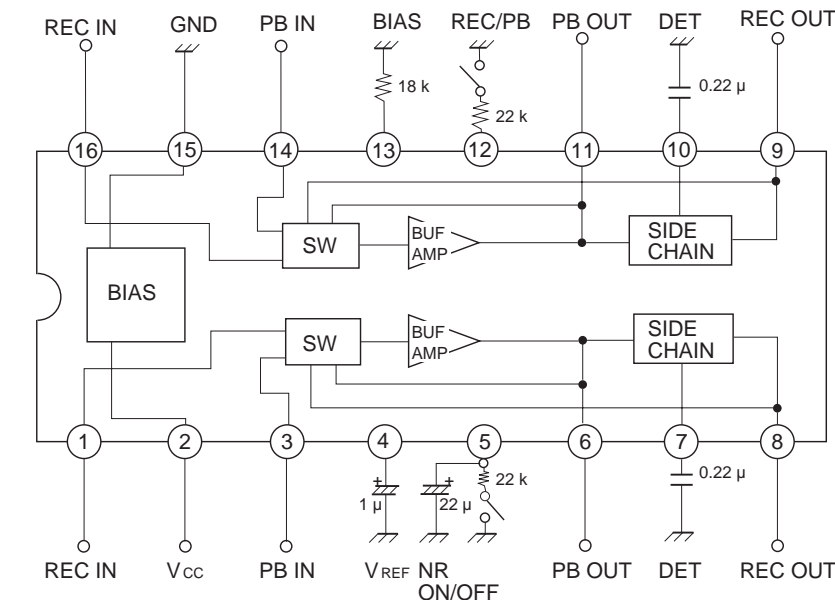
U310 : μ PC1297CA

NO.	CONNECTION
1	VOLTAGE REGULATOR
2	COMP REF ₁
3	SIGNAL INPUT ₁
4	PEAK HOLD ₁
5	COMP INPUT ₁
6	COMP OUTPUT ₁
7	VCA OUTPUT ₁₁
8	VCA OUTPUT ₁₂
9	GND
10	BIAS OSC INPUT
11	VCA OUTPUT ₂₁
12	VCA OUTPUT ₂₂
13	COMP OUTPUT ₂
14	COMP INPUT ₂
15	PEAK HOLD ₂
16	SIGNAL INPUT ₂
17	COMP REF ₂
18	V _{CC}

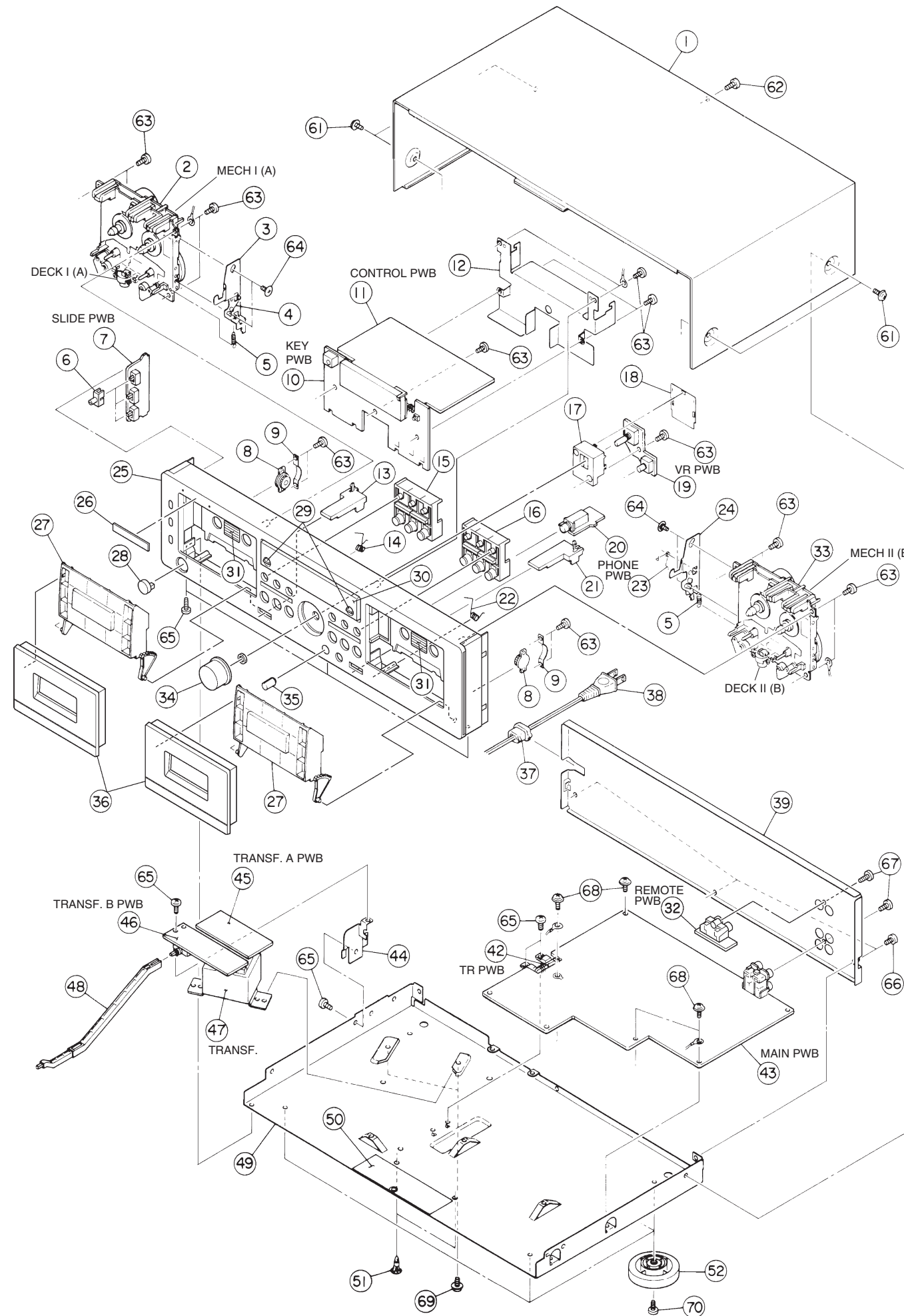
U310 : μ PC1297CA



U305 : HA1213AF



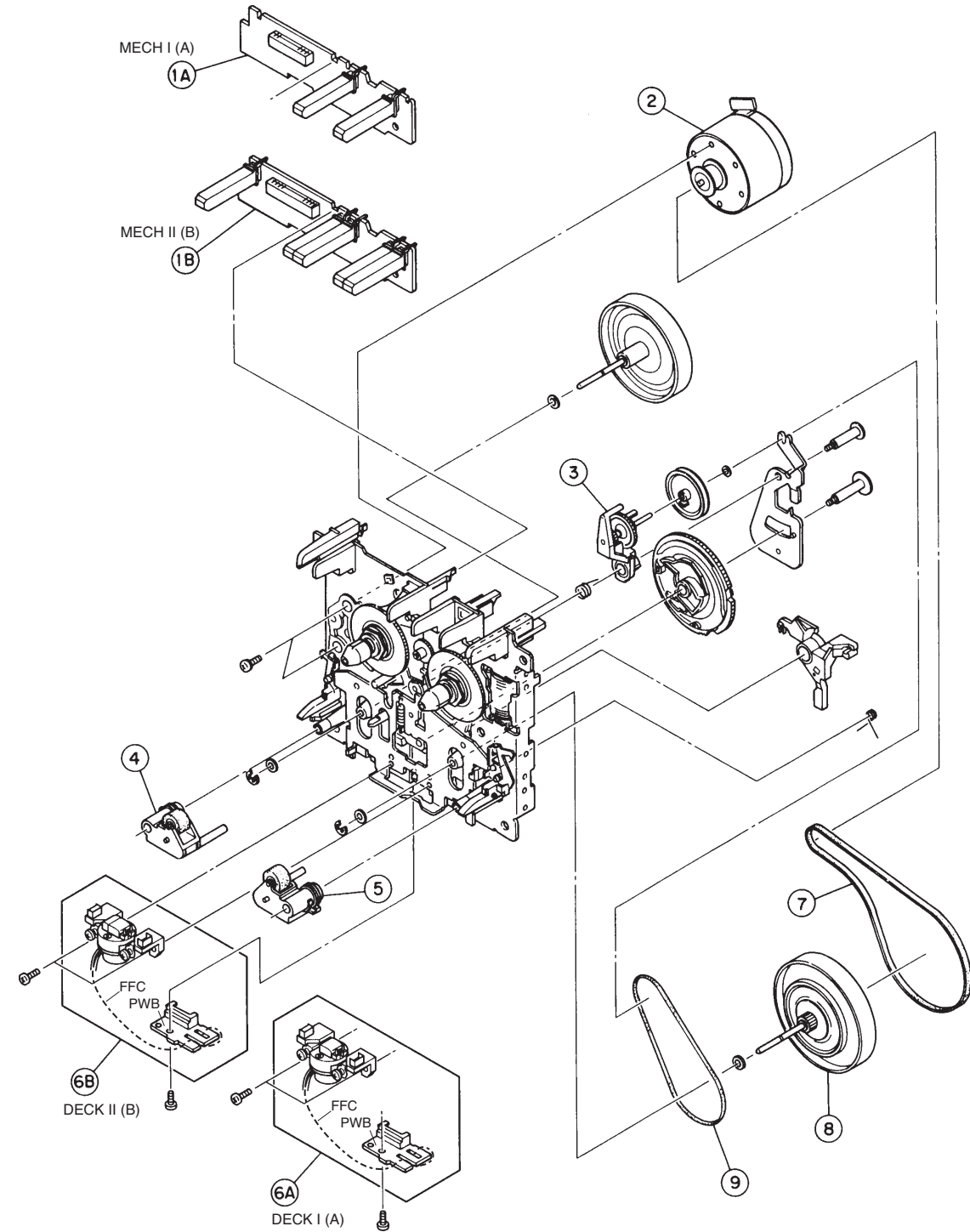
8. EXPLODED VIEW AND PARTS LIST



P.C.B. NAME	POS. NO.	VERS. COLOR	PART NO. (FOR EUR)	PART NO. (MZ)	PART NAME	DESCRIPTION	
	2		00M16CW304500	00M16CW304500	MECHANISM	MECH ASSY, P CMAL2Z093C G	M02285900A
	3		00M16CW258110	00M16CW258110	HOOK	HOOK, EJECT(L) G	3M0053200F
	4		00M16CW115150	00M16CW115150	SPRING	SPRING, HOOK L G	3M0054300D
	5		00M286W115120	00M286W115120	SPRING	SPRING EJECT W-790R G	3M0060700B
	6		00M286W154020	00M286W154020	KNOB	KNOB, G DOLBY/TIMER/MODE	3M0077300A
	7	nsp	nsp	nsp	PWB ASSY	PWBA, SLIDE SD4051FB G	E95288500A
	8		00M286W130110	00M286W130110	DAMPER	DAMPER, GEAR 001P-O-L NF-G	3M006100
	9	nsp	nsp	nsp	BRACKET	DAMPER BRK W-790R G	3M0060600B
	10	nsp	nsp	nsp	PWB ASSY	PWBA, KEY SD4051FB G	E95288100A
	11	nsp	nsp	nsp	PWB ASSY	PWBA, CONTROL SD4051FB G	E95288200A
	12	nsp	nsp	nsp	PLATE	PLATE, SHIELD G	3M0054000B
	13		00M286W270140	00M286W270140	BUTTON	BUTTON, EJECT L(B) G	3M0053000B
	14		00M286W115130	00M286W115130	SPRING	SPRING, L G	3M0053300C
	15		00M286W270110	00M286W270110	BUTTON	BUTTON, MAIN A SD4050 G	3M0076800A
	16		00M286W270120	00M286W270120	BUTTON	BUTTON, MAIN B SD4050 G	3M0076810A
	17	nsp	nsp	nsp	BRACKET	BRACKET, TOP G	3M0056000A
	18	nsp	nsp	nsp	BRACKET	BRACKET, BASE G	3M0056100A
	19	nsp	nsp	nsp	PWB ASSY	PWBA, VR SD4051FB G	E95288600A
	20	nsp	nsp	nsp	PWB ASSY	PWBA, PHONE SD4051FB G	E95288700A
	21		00M286W270130	00M286W270130	BUTTON	BUTTON, EJECT R(B) G	3M0053100B
	22		00M286W115140	00M286W115140	SPRING	SPRING, R G	3M0053400C
	23		00M16CW115160	00M16CW115160	SPRING	SPRING, HOOK R G	3M0054400D
	24		00M286W258120	00M286W258120	HOOK	HOOK, EJECT(R) G	3M0055300F
	25		00M16CW248010	00M16CW248010	PANEL	FRONT PANEL, SD4051 G	M02461700A
	26		00M14AJ251010	00M14AJ251010	BADGE	BADGE, MARANTZ GOLD G	M02423501A
	27		00M16CW271110	00M16CW271110	HOLDER	LEAD G	3M0052300C
	28		00M286W270010	00M286W270010	BUTTON	BUTTON, POWER SD4050 G	3M0076700A
	29		00M286W270050	00M286W270050	BUTTON	BUTTON, RESET SD4050 G	3M0077200A
	30		00M286W158010	00M286W158010	WINDOW	WINDOW, FL SD4050 G	3M0077000A
	31		00M286W274110	00M286W274110	REFLECTOR	PLATE, REFLECT G	3M0062400A
	32	nsp	nsp	nsp	PWB ASSY	PWBA, REMOTE SD4051FB G	E95289000A
	33		00M16CW304510	00M16CW304510	MECHANISM	MECH ASSY, RP CMAL2Z094C G	M02286000A
	34		00M286W154010	00M286W154010	KNOB	KNOB, REC VOLUME SD4050 G	3M0076600A
	35		00M286W154030	00M286W154030	KNOB	KNOB, M(B) G PITCH CONTROL	3M0052900A
	36		00M286W053010	00M286W053010	COVER	LID, CASSETTE SD4050 G	3M0076900A
	37		00M450H259010	00M450H259010	BUSHING	BUSHING, #2271(CSA)-G	3M000880
▲	38	F B	nsp	90M-YC000930R	MAINS CORD	# POWER COJPN-G	3E002120
▲	38	/N1B	90M-YC000940R	90M-YC000940R	MAINS CORD	# POWER COEUR-G	3E015210
	39	F B	nsp	nsp	PANEL	PANEL, REAR JPN SD4051 G	M02461601A
	39	/N1B	nsp	nsp	PANEL	PANEL, REAR EUR SD4051 G	M02461650A
	42	nsp	nsp	nsp	PWB ASSY	PWBA, TR SD4051FB G	E95288300A
	43	nsp	nsp	nsp	PWB ASSY	PWBA, MAIN SD4051FB G	E95288000A
	44	nsp	nsp	nsp	BRACKET	BRACKET, LINKAGE G	3M0016400C
	45	F B	nsp	nsp	PWB ASSY	PWBA, TRANS JPN 4051FB G	E95288800A
	45	/N1B	nsp	nsp	PWB ASSY	PWBA, TRANS A EUR 4051FB G	E95288850A
	46	F B	nsp	nsp	PWB ASSY	PWBA, TRANS B JPN 4051FB G	E95288900A
	46	/N1B	nsp	nsp	PWB ASSY	PWBA, TRANS B EUR 4051FB G	E95288950A
▲	47		90M-TS002840R	90M-TS002840R	TRANSF.	# TRANS, POWER W-860R ALL G	3E0399900A
	48		00M286W121110	00M286W121110	LINK	LINKAGE, POWER G	3M0053600B
	49	nsp	nsp	nsp	CHASSIS	MAIN CHASSIS, W-790R G	3M0010830C
	50	nsp	nsp	nsp	INSULATOR	INSULATE SHEET W-790R G	3M0062000A
	52		00M286W057010	00M286W057010	LEG	FOOT ASSY, SD-455 G	3M0047200A
	61	nsp	nsp	nsp	SCREW	SCREW, PPSU 3*6 FZB G	B00197606A
	62	nsp	nsp	nsp	SCREW	SCREW, VPCR 3*8 FZB G	B00170608A
	63	nsp	nsp	nsp	SCREW	SCREW, BPP 3*8 FZC G	B00199008A
	64	nsp	nsp	nsp	SCREW	SCREW, DPSU 2.6*4.5FZC G	B00245100A
	65	nsp	nsp	nsp	SCREW	SCREW, BPS 3*6 FZC G	B00198306A
	66	nsp	nsp	nsp	SCREW	SCREW, BPS 3*6 FZB G	B00198606A
	69	nsp	nsp	nsp	SCREW	SCREW, BPSU 4*5FZB G	B00246805A
	70	nsp	nsp	nsp	SCREW	SCREW, BPS M3X8 G	3B0000108A
		/N1B	90M-FC500080R	90M-FC500080R	FERRITE CORE	FER.CORE B18T 25X12X15 G	3E010000
		/N1B	90M-FC500100R	90M-FC500100R	FERRITE CORE	FER.CORE K5AT18.3X10X10 G	3E002720

NOTE : "nsp" PART IS LISTED FOR REFERENCE ONLY, MARANTZ WILL NOT SUPPLY THESE PARTS.

P.C.B. NAME	POS. NO.	VERS. COLOR	PART NO. (FOR EUR)	PART NO. (MZ)	PART NAME	DESCRIPTION
PACKING						
		F B	nsp	00M16CW851110	USER GUIDE	OWNERS MNL, JPN SD4051 G D00934401A
		/N1B	00M16CW851310	00M16CW851310	USER GUIDE	OWNERS MNL, EUR SD4051 G D00934450A
			00MZK240W0010	00MZK240W0010	UNIT KIT	REMOTE CONTROLLER RC455SD ZK240W0010
NOT STANDARD SPARE PART						
			nsp	00M16CW801010	PACKING CASE	CARTON BOX OUTER SD4050 3M0078700A
			nsp	00M286W809010	CUSHION	CUSHION, TOP SD4050 G 3M0078400A
			nsp	00M286W809020	CUSHION	CUSHION BOTTOM SD4050 G 3M0078500A
	1		nsp	00M16CW257010	LID	BONNET SD4050 G 3M0053920D
			nsp	90M-ZD000590R	CONN. CORD	PIN COG 3E000380
			nsp	90M-ZD000600R	CONN. CORD	PIN CODE 1P ORANGE G 3E0109000A



P.C.B. NAME	POS. NO.	VERS. COLOR	PART NO. (FOR EUR)	PART NO. (MZ)	PART NAME	DESCRIPTION
	1A		90M-ZZ003580R	90M-ZZ003580R	PWB ASSY	PWB CONTROL (PB)
	1B		90M-ZZ003590R	90M-ZZ003590R	PWB ASSY	PWB CONTROL (REC/PB)
	2		90M-MM001370R	90M-MM001370R	MOTOR	MOTOR MAIN
	3		00M16CW061010	00M16CW061010	CLUTCH	CLUTCH ASSY
	4		00M16CW255010	00M16CW255010	PINCH ROLLER	POLLER PINCH (L)
	5		00M16CW255020	00M16CW255020	PINCH ROLLER	POLLER PINCH (R)
	6A		90M-LH200120R	90M-LH200120R	PLAYBACK HEAD	PLATE HEAD (PB)
	6B		90M-LH400170R	90M-LH400170R	REC./PLAY HEAD	PLATE HEAD (REC/PB) 9A07387400
	7		00M240W264010	00M240W264010	BELT	BELT MAIN 3M002950
	8		00M16CW061020	00M16CW061020	CLUTCH	CAPSTAN ASSY
	9		00M240W264020	00M240W264020	BELT	F/R BELT 3M002940

NOTE : "nsp" PART IS LISTED FOR REFERENCE ONLY, MARANTZ WILL NOT SUPPLY THESE PARTS.

NOTE : "nsp" PART IS LISTED FOR REFERENCE ONLY, MARANTZ WILL NOT SUPPLY THESE PARTS.

9. ELECTRICAL PARTS LIST

PARTS INFORMATION

RESISTORS

- 1) 00MGD05 × × × 140, Carbon film fixed resistor, ±5% 1/4W
- 2) 00MGD05 × × × 160, Carbon film fixed resistor, ±5% 1/6W

① — Resistance value

Examples ;

① Resistance value

0.1Ω 001	10Ω 100	1kΩ 102	100kΩ 104
0.5Ω 005	18Ω 180	2.7kΩ 272	680kΩ 684
1Ω 010	100Ω 101	10kΩ 103	1MΩ 105
6.8Ω 068	390Ω 391	22kΩ 223	4.7MΩ 475

Note : Please distinguish 1/4W from 1/6W by the shape of parts used actually.

CAPACITORS

CERAMIC CAP.

- 3) 00MDD1 × × × × 370, Ceramic capacitor
Disc type
Temp.coeff.P350 ~ N1000, 50V
- ② — Capacity value
③ — Tolerance

Examples ;

② Tolerance (Capacity deviation)

±0.25pF.....0
±0.5pF.....1
±5%.....5

* Tolerance of COMMON PARTS handled here are as follows :

0.5pF ~ 5pF ±0.25pF
6pF ~ 10pF ±0.5pF
12pF ~ 560pF ±5%

③ Capacity value

0.5pF 005	3pF 030	100pF 101
1pF 010	10pF 100	220pF 221
1.5pF 015	47pF 470	560pF 561

CERAMIC CAP.

- 4) 00MDK16 × × × 300, High dielectric constant ceramic capacitor
Disc type
Temp.chara. 2B4, 50V
- ④ — Capacity value

Examples ;

④ Capacity value

100pF 101	1000pF 102	10000pF 103
470pF 471	2200pF 222	

ELECTROLY CAP. (Z)

- 5) 00MEA × × × × × 10, Electrolytic capacitor
One-way lead type, Tolerance ±20%
- ⑤ — Working voltage
⑥ — Capacity value

Examples ;

⑤ Capacity value

0.1μF 104	4.7μF 475	100μF ... 107
0.33μF 334	10μF ... 106	330μF ... 337
1μF 105	22μF 226	1100μF ... 118
		2200μF ... 228

⑥ Working voltage

6.3V 006	25V 025
10V 010	35V 035
16V 016	50V 050

FILM CAP. (+)

- 6) 00MDF15 × × × 350 Plastic film capacitor
One-way type, Mylar ±5% 50V
 - 00MDF15 × × × 310 Plastic film capacitor
One-way type, Mylar ±10% 50V
- ⑦ — Capacity value

Examples ;

⑦ Capacity value

0.001μF (1000pF) 102	0.1μF 104
0.0018μF 182	0.56μF 564
0.01μF 103	1μF 105
0.015μF 153	

NOTE ON SAFETY FOR FUSIBLE RESISTOR :

The suppliers and their type numbers of fusible resistors are as follows;

1. KOA Corporation

Part No. (MJI)	Type No. (KOA)	Description
00MNH05 × × × 140	→ RF25S × × × × ΩJ	(±5% 1/4W)
00MNH05 × × × 120	→ RF50S × × × × ΩJ	(±5% 1/2W)
00MNH85 × × × 110	→ RF73B2A × × × × ΩJ	(±5% 1/10W)
00MNH95 × × × 140	→ RF73B2E × × × × ΩJ	(±5% 1/4W)

* Resistance value Resistance value (0.1 – 10kΩ)

2. Matsushita Electronic Components Co., Ltd

Part No. (MJI)	Type No. (MEC)	Description
00MNF05 × × × 140	→ ERD-2FCJ × × ×	(±5% 1/4W)
00MRF05 × × × 140		
00MNF02 × × × 140	→ ERD-2FCG × × ×	(±2% 1/4W)
00MRF02 × × × 140		

* Resistance value * Resistance value

Examples ;

* Resistance value

0.1Ω 001	10Ω 100	1kΩ 102	100kΩ 104
0.5Ω 005	18Ω 180	2.7kΩ 272	680kΩ 684
1Ω 010	100Ω 101	10kΩ 103	1MΩ 105
6.8Ω 068	390Ω 391	22kΩ 223	4.7MΩ 475

ABBREVIATION AND MARKS

ANT. : ANTENNA	BATT. : BATTERY
CAP. : CAPACITOR	CER. : CERAMIC
CONN. : CONNECTING	DIG. : DIGITAL
HP : HEADPHONE	MIC. : MICROPHONE
μ-PRO : MICROPROCESSOR	REC. : RECORDING
RES. : RESISTOR	SPK : SPEAKER
SW : SWITCH	TRANSF. : TRANSFORMER
TRIM. : TRIMMING	TRS. : TRANSISTOR
VAR. : VARIABLE	X'TAL : CRYSTAL

NOTE ON FUSE :

Regarding to all parts of parts code **00MFS20xxx2xx**, replace only with Wickmann-Werke GmbH, Type 372 non glass type fuse.

NOTE ON SAFETY :

Symbol **⚠** Fire or electrical shock hazard. Only original parts should be used to replaced any part marked with symbol **⚠**. Any other component substitution (other than original type), may increase risk of fire or electrical shock hazard.

安全上の注意 :

⚠がついている部品は、安全上重要な部品です。必ず指定されている部品番号の部品を使用して下さい。

P.C.B. NAME	POS. NO.	VERS. COLOR	PART NO. (FOR EUR)	PART NO. (MZ)	PART NAME	DESCRIPTION
					MAIN PWB (E90288000A)	
MAIN	3G-2G		nsp	nsp	CORD	WIRE, #24UL1007 BLK 80MM G 3E0044500A
MAIN	C027		nsp	nsp	CER. CAP.	CC, B 50V 1000PF K CER TPG 3C005852
MAIN	C101		nsp	nsp	CER. CAP.	CC, B 50V 330PF K CERAMTPG 3C005792
MAIN	C102		nsp	nsp	CER. CAP.	CC, B 50V 330PF K CERAMTPG 3C005792
MAIN	C103		nsp	nsp	FILM CAP.	CQ, 100V0.027UFJ MYLARTP G 3C003362
MAIN	C104		nsp	00MOA22701020	ELECT CAP.	CE, 10V 220 UF M TP G 3C000752
MAIN	C105		nsp	00MOA22505020	ELECT CAP.	CE, 50V 2.2UF M TP G 3C000212
MAIN	C106		nsp	nsp	CER. CAP.	CC, B 50V 1000PF K CER TPG 3C005852
MAIN	C107		nsp	nsp	CER. CAP.	CC, B 50V 1000PF K CER TPG 3C005852
MAIN	C108		nsp	nsp	FILM CAP.	CQ, 100V0.027UFJ MYLARTP G 3C003362
MAIN	C109		nsp	00MOA22701020	ELECT CAP.	CE, 10V 220 UF M TP G 3C000752
MAIN	C110		nsp	00MOA22505020	ELECT CAP.	CE, 50V 2.2UF M TP G 3C000212
MAIN	C111		nsp	nsp	CER. CAP.	CC, B 50V 1000PF K CER TPG 3C005852
MAIN	C113		nsp	00MOA10601620	ELECT CAP.	CE, 16V 10UFMTPG C0051322
MAIN	C114		nsp	00MOA10601620	ELECT CAP.	CE, 16V 10UFMTPG C0051322
MAIN	C115		nsp	00MOA10601620	ELECT CAP.	CE, 16V 10UFMTPG C0051322
MAIN	C116		nsp	00MOA10601620	ELECT CAP.	CE, 16V 10UFMTPG C0051322
MAIN	C117		nsp	00MOA10601620	ELECT CAP.	CE, 16V 10UFMTPG C0051322
MAIN	C118		nsp	00MOA10601620	ELECT CAP.	CE, 16V 10UFMTPG C0051322
MAIN	C119		nsp	nsp	CER. CAP.	CC, F 50V 0.010UF Z CERTPG 3C005992
MAIN	C122		nsp	00MOA10601620	ELECT CAP.	CE, 16V 10UFMTPG C0051322
MAIN	C124		nsp	nsp	CER. CAP.	CC, F 50V 0.010UF Z CERTPG 3C005992
MAIN	C125		nsp	nsp	FILM CAP.	CQ, 100V0.047UFJ MYLARTP G 3C003422
MAIN	C126		nsp	nsp	FILM CAP.	CQ, 100V0.022UFJ MYLARTP G 3C003342
MAIN	C127		nsp	nsp	CER. CAP.	CC, SL 50V 560PF J TP G 3C002082
MAIN	C129		nsp	nsp	CER. CAP.	CC, SL 50V 100PF J CER TPG 3C005722
MAIN	C130		nsp	nsp	FILM CAP.	CQ, 100V 200PF J PL TP G 3C008752G
MAIN	C132		nsp	nsp	CER. CAP.	CC, SL 50V 100PF J CER TPG 3C005722
MAIN	C134		nsp	00MOA47505020	ELECT CAP.	CE, 50V 4.7UF M TP G 3C000272
MAIN	C135		nsp	nsp	CER. CAP.	CC, B 50V 1000PF K CER TPG 3C005852
MAIN	C136		nsp	nsp	CER. CAP.	CC, SL 50V 220PF J CER TPG 3C001982
MAIN	C139		nsp	00MOA10601620	ELECT CAP.	CE, 16V 10UFMTPG C0051322
MAIN	C140		nsp	nsp	CER. CAP.	CC, SL 50V 100PF J CER TPG 3C005722
MAIN	C141		nsp	00MOA10601620	ELECT CAP.	CE, 16V 10UFMTPG C0051322
MAIN	C142		nsp	nsp	FILM CAP.	CQ, 100V0.056UFJ MYLARTP G 3C003442
MAIN	C143		nsp	nsp	FILM CAP.	CQ, 100V 5600PF JMYLARTP G 3C003202
MAIN	C144		nsp	nsp	FILM CAP.	CQ, 100V 3300PF JMYLARTP G 3C003142
MAIN	C145		nsp	nsp	FILM CAP.	CQ, 100V1500PF JMYLAR TP G 3C003062
MAIN	C146		nsp	nsp	FILM CAP.	CQ, 100V 2700PFJ MYLARTP G 3C003122
MAIN	C147		nsp	nsp	FILM CAP.	CQ, 100V 4700PFJ MYLARTP G 3C003182
MAIN	C201		nsp	nsp	CER. CAP.	CC, B 50V 330PF K CERAMTPG 3C005792
MAIN	C202		nsp	nsp	CER. CAP.	CC, B 50V 330PF K CERAMTPG 3C005792
MAIN	C203		nsp	nsp	FILM CAP.	CQ, 100V0.027UFJ MYLARTP G 3C003362
MAIN	C204		nsp	00MOA22701020	ELECT CAP.	CE, 10V 220 UF M TP G 3C000752
MAIN	C205		nsp	00MOA22505020	ELECT CAP.	CE, 50V 2.2UF M TP G 3C000212
MAIN	C206		nsp	nsp	CER. CAP.	CC, B 50V 1000PF K CER TPG 3C005852
MAIN	C208		nsp	nsp	FILM CAP.	CQ, 100V0.027UFJ MYLARTP G 3C003362
MAIN	C209		nsp	00MOA22701020	ELECT CAP.	CE, 10V 220 UF M TP G 3C000752
MAIN	C210		nsp	00MOA22505020	ELECT CAP.	CE, 50V 2.2UF M TP G 3C000212
MAIN	C211		nsp	nsp	CER. CAP.	CC, B 50V 1000PF K CER TPG 3C005852
MAIN	C213		nsp	00MOA10601620	ELECT CAP.	CE, 16V 10UFMTPG C0051322
MAIN	C214		nsp	00MOA10601620	ELECT CAP.	CE, 16V 10UFMTPG C0051322
MAIN	C215		nsp	00MOA10601620	ELECT CAP.	CE, 16V 10UFMTPG C0051322
MAIN	C216		nsp	00MOA10601620	ELECT CAP.	CE, 16V 10UFMTPG C0051322
MAIN	C217		nsp	00MOA10601620	ELECT CAP.	CE, 16V 10UFMTPG C0051322
MAIN	C218		nsp	00MOA10601620	ELECT CAP.	CE, 16V 10UFMTPG C0051322
MAIN	C219		nsp	nsp	CER. CAP.	CC, F 50V 0.010UF Z CERTPG 3C005992
MAIN	C223		nsp	nsp	CER. CAP.	CC, SL 50V 150PFJ CER TP G 3C005742
MAIN	C224		nsp	nsp	CER. CAP.	CC, F 50V 0.010UF Z CERTPG 3C005992
MAIN	C225		nsp	nsp	FILM CAP.	CQ, 100V0.047UFJ MYLARTP G 3C003422
MAIN	C226		nsp	nsp	FILM CAP.	CQ, 100V0.022UFJ MYLARTP G 3C003342
MAIN	C227		nsp	nsp	CER. CAP.	CC, SL 50V 560PF J TP G 3C002082
MAIN	C229		nsp	nsp	CER. CAP.	CC, SL 50V 100PF J CER TPG 3C005722
MAIN	C230		nsp	nsp	FILM CAP.	CQ, 100V 200PF J PL TP G 3C008752G
MAIN	C232		nsp	nsp	CER. CAP.	CC, SL 50V 100PF J CER TPG 3C005722
MAIN	C234		nsp	00MOA47405020	ELECT CAP.	CE, 50V 0.47UF M TP G 3C000092

NOTE : "nsp" PART IS LISTED FOR REFERENCE ONLY, MARANTZ WILL NOT SUPPLY THESE PARTS.

P.C.B. NAME	POS. NO.	VERS. COLOR	PART NO. (FOR EUR)	PART NO. (MZ)	PART NAME	DESCRIPTION	
MAIN	C235		nsp	nsp	CER. CAP.	CC, B 50V 1000PF K CER TPG	3C005852
MAIN	C236		nsp	nsp	CER. CAP.	CC, SL 50V 220PF J CER TPG	3C001982
MAIN	C239		nsp	00MOA10601620	ELECT CAP.	CE, 16V 10UFMTPG	C0051322
MAIN	C240		nsp	nsp	CER. CAP.	CC, SL 50V 100PF J CER TPG	3C005722
MAIN	C241		nsp	00MOA10601620	ELECT CAP.	CE, 16V 10UFMTPG	C0051322
MAIN	C242		nsp	nsp	FILM CAP.	CQ, 100V0.056UFJ MYLARTP G	3C003442
MAIN	C243		nsp	nsp	FILM CAP.	CQ, 100V 5600PF JMYLARTP G	3C003202
MAIN	C244		nsp	nsp	FILM CAP.	CQ, 100V 3300PF JMYLARTP G	3C003142
MAIN	C245		nsp	nsp	FILM CAP.	CQ, 100V1500PF JMYLAR TP G	3C003062
MAIN	C246		nsp	nsp	FILM CAP.	CQ, 100V 2700PFJ MYLARTP G	3C003122
MAIN	C247		nsp	nsp	FILM CAP.	CQ, 100V 4700PFJ MYLARTP G	3C003182
MAIN	C301		nsp	00MOA10505020	ELECT CAP.	CE, 50V 1.0UF M TP G	3C000182
MAIN	C303		nsp	00MOA22601620	ELECT CAP.	CE, 16V 22UFMTPG	C0051392
MAIN	C304		nsp	nsp	CER. CAP.	CC, SL 50V 10PF D CERAMTPG	3C005582
MAIN	C305		nsp	00MOA10602520	ELECT CAP.	CE, 25V 10 UF M TP G	3C000342
MAIN	C306		nsp	00MOA10702520	ELECT CAP.	CE, 25V 100 UF M TP G	3C000692
MAIN	C307		nsp	nsp	FILM CAP.	CQ, 100V 3900PFJ MYLARTP G	3C003162
MAIN	C308		nsp	nsp	FILM CAP.	CQ, 100V 3900PFJ MYLARTP G	3C003162
MAIN	C309		nsp	nsp	FILM CAP.	CQ, 100V 0.010UFJ PL TP G	3C008972G
MAIN	C310		nsp	00MOA10701620	ELECT CAP.	CE, 16V 100UFMTPG	C0051702
MAIN	C311		nsp	00MOA10701620	ELECT CAP.	CE, 16V 100UFMTPG	C0051702
MAIN	C312		nsp	nsp	FILM CAP.	CQ, 100V0.022UFJ MYLARTP G	3C003342
MAIN	C313		nsp	nsp	FILM CAP.	CQ, 100V0.022UFJ MYLARTP G	3C003342
MAIN	C315		nsp	00MOA10701020	ELECT CAP.	CE, 10V 100UFMTPG	C0051692
MAIN	C318		nsp	nsp	CER. CAP.	CC, F 50V 0.010UF Z CERTPG	3C005992
MAIN	▲ C320		00MEA68802510	00MEA68802510	ELECT CAP.	! CE, 25V 6800UF M G	3C001320
MAIN	▲ C321		90M-EA000670R	90M-EA000670R	ELECT CAP.	! CE 16V2200UF 13*20 P=5 G	3C001140
MAIN	▲ C322		90M-EA000670R	90M-EA000670R	ELECT CAP.	! CE 16V2200UF 13*20 P=5 G	3C001140
MAIN	C323		nsp	00MOA10701620	ELECT CAP.	CE, 16V 100UFMTPG	C0051702
MAIN	C324		nsp	00MOA10701020	ELECT CAP.	CE, 10V 100UFMTPG	C0051692
MAIN	C325		nsp	00MOA10701020	ELECT CAP.	CE, 10V 100UFMTPG	C0051692
MAIN	C329		nsp	nsp	CER. CAP.	CC, B 50V 1000PF K CER TPG	3C005852
MAIN	C340		nsp	00MOA22701020	ELECT CAP.	CE, 10V 220 UF M TP G	3C000752
MAIN	C342		nsp	00MOA47505020	ELECT CAP.	CE, 50V 4.7UF M TP G	3C000272
MAIN	C344		nsp	00MOA10701620	ELECT CAP.	CE, 16V 100UFMTPG	C0051702
MAIN	D1		90M-HI101180R	90M-HI101180R	L.E.D.	LED, RED(3DIA)LH2041 G	3S000190
MAIN	▲ D24		90M-HD202000R	90M-HD202000R	DIODE	! SCHOTTKY, SR160 TP-G	3S005861
MAIN	D24		nsp	nsp	TUBE	TUBE, SU-SRT 2.0*11MM-G	3E0186910A
MAIN	▲ D25		00MHD200010AR	00MHD200010AR	DIODE	! 1N4003-F TAPINGW=52 G	3S000031
MAIN	▲ D26		00MHD200010AR	00MHD200010AR	DIODE	! 1N4003-F TAPINGW=52 G	3S000031
MAIN	▲ D27		00MHD200010AR	00MHD200010AR	DIODE	! 1N4003-F TAPINGW=52 G	3S000031
MAIN	▲ D28		00MHD200010AR	00MHD200010AR	DIODE	! 1N4003-F TAPINGW=52 G	3S000031
MAIN	▲ D29		90M-HD202000R	90M-HD202000R	DIODE	! SCHOTTKY, SR160 TP-G	3S005861
MAIN	D29		nsp	nsp	TUBE	TUBE, SU-SRT 2.0*11MM-G	3E0186910A
MAIN	D101		nsp	00MHD20015210	DIODE	1SS133 T-77 G	S0067021
MAIN	D201		nsp	00MHD20015210	DIODE	1SS133 T-77 G	S0067021
MAIN	D302		nsp	00MHD20015210	DIODE	1SS133 T-77 G	S0067021
MAIN	D303		nsp	00MHD20015210	DIODE	1SS133 T-77 G	S0067021
MAIN	D304		nsp	00MHD20015210	DIODE	1SS133 T-77 G	S0067021
MAIN	D305		nsp	00MHD20015210	DIODE	1SS133 T-77 G	S0067021
MAIN	D307		nsp	00MHD200010AR	DIODE	1N4003-F TAPINGW=52 G	3S000031
MAIN	D308		nsp	00MHD20015210	DIODE	1SS133 T-77 G	S0067021
MAIN	D309		nsp	00MHD20015210	DIODE	1SS133 T-77 G	S0067021
MAIN	D313		90M-HD301690R	90M-HD301690R	ZENER DIODE	MTZJ4.7C TP G	3S001811
MAIN	G10-PG		nsp	nsp	CORD	JUMPER WIRE, 10MM G	E0123301
MAIN	GND7		nsp	nsp	TERMINAL	TERMINAL, EARTH PLATE B G	3E0043200A
MAIN	J32		90M-YT004990R	90M-YT004990R	TERMINAL	JACK, RCA 4P RJ-1073-09-G	3E0064100B
MAIN	L101		90M-TC000440R	90M-TC000440R	TRANSF.	FILTER, LOW PASS MPX G	3E002100G
MAIN	L102		90M-LC107450R	90M-LC107450R	COIL	COIL, 22MH EC46-223K-T2 G	3E002051G
MAIN	L103		90M-TC000430R	90M-TC000430R	TRANSF.	COIL, STEP UP G	3E002180G
MAIN	L104		90M-LC107430R	90M-LC107430R	COIL	COIL, 8.2MH EC46-822J-T5G	3E004421G
MAIN	L201		90M-TC000440R	90M-TC000440R	TRANSF.	FILTER, LOW PASS MPX G	3E002100G
MAIN	L202		90M-LC107450R	90M-LC107450R	COIL	COIL, 22MH EC46-223K-T2 G	3E002051G
MAIN	L203		90M-TC000430R	90M-TC000430R	TRANSF.	COIL, STEP UP G	3E002180G
MAIN	L204		90M-LC107430R	90M-LC107430R	COIL	COIL, 8.2MH EC46-822J-T5G	3E004421G
MAIN	L301		90M-TC000420R	90M-TC000420R	TRANSF.	COIL BIAS SM-10F G	3E007790G
MAIN	L302		90M-LC107440R	90M-LC107440R	COIL	COIL, 220UH EC36-221K-T5G	3E004411G

NOTE : *nsp* PART IS LISTED FOR REFERENCE ONLY, MARANTZ WILL NOT SUPPLY THESE PARTS.

P.C.B. NAME	POS. NO.	VERS. COLOR	PART NO. (FOR EUR)	PART NO. (MZ)	PART NAME	DESCRIPTION	
MAIN	L303		90M-LC107440R	90M-LC107440R	COIL	COIL, 220UH EC36-221K-T5G	3E004411G
MAIN	P301		nsp	nsp	CORD	3P DECK 1 HEAD WIRE G	3E0075900A
MAIN	P302		nsp	nsp	CORD	5P DECK 2 HEAD WIRE G	3E0076100B
MAIN	P304		nsp	nsp	CONN.	CONNECTOR, B 3B-PH-K-S G	E0119740
MAIN	P305		nsp	nsp	CONN.	CONNECTOR, B 3B-PH-K-S G	E0119740
MAIN	P306		nsp	nsp	CONN.	CONNECTOR, B 3B-PH-K-S G	E0119740
MAIN	P307		nsp	nsp	CONN.	CONN PLUG B12B-PHKS(LF)G	3E010440G
MAIN	P308		nsp	nsp	CONN.	CONNECTOR, B 9B-PH-K-S G	E0119800
MAIN	P309		nsp	nsp	CONN.	CONNECTOR, B 9B-PH-K-S G	E0119800
MAIN	Q102		00MHT318151C0	00MHT318151C0	TRS.	2SC1815-GR(TPE2.F) GZO	S0065482
MAIN	Q103		00MHT322401A0	00MHT322401A0	TRS.	2SC2240GR(F) G	3S000412G
MAIN	Q106		90M-HT400510R	90M-HT400510R	TRS.	2SD2144S TP G	3S000731
MAIN	Q202		00MHT318151C0	00MHT318151C0	TRS.	2SC1815-GR(TPE2.F) GZO	S0065482
MAIN	Q203		00MHT322401A0	00MHT322401A0	TRS.	2SC2240GR(F) G	3S000412G
MAIN	Q206		90M-HT400510R	90M-HT400510R	TRS.	2SD2144S TP G	3S000731
MAIN	Q301		00MHT110151C0	00MHT110151C0	TRS.	2SA1015GR-T G	S0066842
MAIN	Q302		00MHT318151C0	00MHT318151C0	TRS.	2SC1815-GR(TPE2.F) GZO	S0065482
MAIN	Q303		00MHT318151C0	00MHT318151C0	TRS.	2SC1815-GR(TPE2.F) GZO	S0065482
MAIN	Q304		00MHT322401A0	00MHT322401A0	TRS.	2SC2240GR(F) G	3S000412G
MAIN	Q306		00MHT110151C0	00MHT110151C0	TRS.	2SA1015GR-T G	S0066842
MAIN	R11		90M-RA001150R	90M-RA001150R	TRIM. RES.	VR SEMI-FIXEDRH0615-10KBG	3R004590
MAIN	R12		90M-RA001150R	90M-RA001150R	TRIM. RES.	VR SEMI-FIXEDRH0615-10KBG	3R004590
MAIN	R13		90M-RA000920R	90M-RA000920R	TRIM. RES.	VR SEMI-FIXED RH0615-22KG	3R004600
MAIN	R14		90M-RA001150R	90M-RA001150R	TRIM. RES.	VR SEMI-FIXEDRH0615-10KBG	3R004590
MAIN	R21		90M-RA001150R	90M-RA001150R	TRIM. RES.	VR SEMI-FIXEDRH0615-10KBG	3R004590
MAIN	R22		90M-RA001150R	90M-RA001150R	TRIM. RES.	VR SEMI-FIXEDRH0615-10KBG	3R004590
MAIN	R23		90M-RA000920R	90M-RA000920R	TRIM. RES.	VR SEMI-FIXED RH0615-22KG	3R004600
MAIN	R24		90M-RA001150R	90M-RA001150R	TRIM. RES.	VR SEMI-FIXEDRH0615-10KBG	3R004590
MAIN	R102		nsp	00MGD05563160	RES.	1/8W 56K OHMJ26MM G	R0155471
MAIN	R103		nsp	00MGD05124160	RES.	1/8W 120K OHMJ26MM G	R0155551
MAIN	R104		nsp	00MGD05472160	RES.	1/8W 4.7K OHMJ26MM G	R0155211
MAIN	R105		nsp	00MGD05105160	RES.	1/8W 1.0M OHMJ26MM G	R0155751
MAIN	R106		nsp	00MGD05560160	RES.	1/8W 56 OHMJ26MM G	3R000421
MAIN	R106		nsp	00MGD05560160	RES.	1/8W 56 OHMJ26MM G	3R000421
MAIN	R107		nsp	00MGD05682160	RES.	1/8W 6.8K OHMJ26MM G	R0155251
MAIN	R108		nsp	00MGD05222160	RES.	1/8W 2.2K OHMJ26MM G	R0155131
MAIN	R109		nsp	00MGD05102160	RES.	1/8W 1.0K OHMJ26MM G	R0155051
MAIN	R110		nsp	00MGD05563160	RES.	1/8W 56K OHMJ26MM G	R0155471
MAIN	R111		nsp	00MGD05124160	RES.	1/8W 120K OHMJ26MM G	R0155551
MAIN	R112		nsp	00MGD05472160	RES.	1/8W 4.7K OHMJ26MM G	R0155211
MAIN	R113		nsp	00MGD05105160	RES.	1/8W 1.0M OHMJ26MM G	R0155751
MAIN	R114		nsp	00MGD05560160	RES.	1/8W 56 OHMJ26MM G	3R000421
MAIN	R115		nsp	00MGD05682160	RES.	1/8W 6.8K OHMJ26MM G	R0155251
MAIN	R116		nsp	00MGD05222160	RES.	1/8W 2.2K OHMJ26MM G	R0155131
MAIN	R117		nsp	00MGD05473160	RES.	1/8W 47K OHMJ26MM G	R0155451
MAIN	R118		nsp	00MGD05272160	RES.	1/8W 2.7K OHMJ26MM G	R0155151
MAIN	R119		nsp	90M-GD000370R	RES.	1/8W 6.2K OHMJ26MM G	3R000911
MAIN	R120		nsp	00MGD05103160	RES.	1/8W 10K OHMJ26MM G	R0155291
MAIN	R121		nsp	00MGD05103160	RES.	1/8W 10K OHMJ26MM G	R0155291
MAIN	R122		nsp	00MGD05103160	RES.	1/8W 10K OHMJ26MM G	R0155291
MAIN	R123		nsp	00MGD05272160	RES.	1/8W 2.7K OHMJ26MM G	R0155151
MAIN	R124		nsp	00MGD05104160	RES.	1/8W 100K OHMJ26MM G	R0155531
MAIN	R125		nsp	00MGD05330160	RES.	1/8W 33 OHMJ26MM G	3R000361
MAIN	R126		nsp	00MGD05102160	RES.	1/8W 1.0K OHMJ26MM G	R0155051
MAIN	R127		nsp	00MGD05333160	RES.	1/8W 33K OHMJ26MM G	R0155411
MAIN	R130		nsp	00MGD05123160	RES.	1/8W 12K OHMJ26MM G	R0155311
MAIN	R131		nsp	00MGD05222160	RES.	1/8W 2.2K OHMJ26MM G	R0155131
MAIN	R132		nsp	00MGD05153160	RES.	1/8W 15K OHMJ26MM G	R0155331
MAIN	R133		nsp	00MGD05222160	RES.	1/8W 2.2K OHMJ26MM G	R0155131
MAIN	R134		nsp	00MGD05333160	RES.	1/8W 33K OHMJ26MM G	R0155411
MAIN	R135		nsp	00MGD05154160	RES.	1/8W 150K OHMJ26MM G	R0155571
MAIN	R138		nsp	00MGD05473160	RES.	1/8W 47K OHMJ26MM G	R0155451
MAIN	R139		nsp	00MGD05123160	RES.	1/8W 12K OHMJ26MM G	R0155311
MAIN	R140		nsp	00MGD05680160	RES.	1/8W 68 OHMJ26MM G	3R000441
MAIN	R148		nsp	00MGD05102160	RES.	1/8W 1.0K OHMJ26MM G	R0155051
MAIN	R149		nsp	00MGD05473160	RES.	1/8W 47K OHMJ26MM G	R0155451
MAIN	R150		nsp	00MGD05333160	RES.	1/8W 33K OHMJ26MM G	R0155411

NOTE : "nsp" PART IS LISTED FOR REFERENCE ONLY, MARANTZ WILL NOT SUPPLY THESE PARTS.

P.C.B. NAME	POS. NO.	VERS. COLOR	PART NO. (FOR EUR)	PART NO. (MZ)	PART NAME	DESCRIPTION	
MAIN	R151		nsp	00MGD05273160	RES.	1/8W 27K OHMJ26MM G	R0155391
MAIN	R152		nsp	00MGD05153160	RES.	1/8W 15K OHMJ26MM G	R0155331
MAIN	R153		nsp	00MGD05182160	RES.	1/8W 1.8K OHMJ26MM G	R0155111
MAIN	R154		nsp	00MGD05333160	RES.	1/8W 33K OHMJ26MM G	R0155411
MAIN	R155		nsp	00MGD05393160	RES.	1/8W 39K OHMJ26MM G	R0155431
MAIN	R156		nsp	90M-GD000360R	RES.	1/8W 360 OHMJ26MM G	3R000611
MAIN	R157		nsp	00MGD05332160	RES.	1/8W 3.3K OHMJ26MM G	R0155171
MAIN	R158		nsp	00MGD05223160	RES.	1/8W 22K OHMJ26MM G	R0155371
MAIN	R159		nsp	00MGD05153160	RES.	1/8W 15K OHMJ26MM G	R0155331
MAIN	R160		nsp	00MGD05123160	RES.	1/8W 12K OHMJ26MM G	R0155311
MAIN	R163		nsp	00MGD05563160	RES.	1/8W 56K OHMJ26MM G	R0155471
MAIN	R202		nsp	00MGD05563160	RES.	1/8W 56K OHMJ26MM G	R0155471
MAIN	R203		nsp	00MGD05124160	RES.	1/8W 120K OHMJ26MM G	R0155551
MAIN	R204		nsp	00MGD05472160	RES.	1/8W 4.7K OHMJ26MM G	R0155211
MAIN	R205		nsp	00MGD05105160	RES.	1/8W 1.0M OHMJ26MM G	R0155751
MAIN	R207		nsp	00MGD05682160	RES.	1/8W 6.8K OHMJ26MM G	R0155251
MAIN	R208		nsp	00MGD05222160	RES.	1/8W 2.2K OHMJ26MM G	R0155131
MAIN	R209		nsp	00MGD05102160	RES.	1/8W 1.0K OHMJ26MM G	R0155051
MAIN	R210		nsp	00MGD05563160	RES.	1/8W 56K OHMJ26MM G	R0155471
MAIN	R211		nsp	00MGD05124160	RES.	1/8W 120K OHMJ26MM G	R0155551
MAIN	R212		nsp	00MGD05472160	RES.	1/8W 4.7K OHMJ26MM G	R0155211
MAIN	R213		nsp	00MGD05105160	RES.	1/8W 1.0M OHMJ26MM G	R0155751
MAIN	R214		nsp	00MGD05560160	RES.	1/8W 56 OHMJ26MM G	3R000421
MAIN	R215		nsp	00MGD05682160	RES.	1/8W 6.8K OHMJ26MM G	R0155251
MAIN	R216		nsp	00MGD05222160	RES.	1/8W 2.2K OHMJ26MM G	R0155131
MAIN	R217		nsp	00MGD05473160	RES.	1/8W 47K OHMJ26MM G	R0155451
MAIN	R218		nsp	00MGD05272160	RES.	1/8W 2.7K OHMJ26MM G	R0155151
MAIN	R219		nsp	90M-GD000370R	RES.	1/8W 6.2K OHMJ26MM G	3R000911
MAIN	R220		nsp	00MGD05103160	RES.	1/8W 10K OHMJ26MM G	R0155291
MAIN	R221		nsp	00MGD05103160	RES.	1/8W 10K OHMJ26MM G	R0155291
MAIN	R222		nsp	00MGD05103160	RES.	1/8W 10K OHMJ26MM G	R0155291
MAIN	R223		nsp	00MGD05272160	RES.	1/8W 2.7K OHMJ26MM G	R0155151
MAIN	R224		nsp	00MGD05104160	RES.	1/8W 100K OHMJ26MM G	R0155531
MAIN	R225		nsp	00MGD05330160	RES.	1/8W 33 OHMJ26MM G	3R000361
MAIN	R226		nsp	00MGD05102160	RES.	1/8W 1.0K OHMJ26MM G	R0155051
MAIN	R227		nsp	00MGD05333160	RES.	1/8W 33K OHMJ26MM G	R0155411
MAIN	R230		nsp	00MGD05123160	RES.	1/8W 12K OHMJ26MM G	R0155311
MAIN	R231		nsp	00MGD05222160	RES.	1/8W 2.2K OHMJ26MM G	R0155131
MAIN	R232		nsp	00MGD05153160	RES.	1/8W 15K OHMJ26MM G	R0155331
MAIN	R233		nsp	00MGD05222160	RES.	1/8W 2.2K OHMJ26MM G	R0155131
MAIN	R234		nsp	00MGD05333160	RES.	1/8W 33K OHMJ26MM G	R0155411
MAIN	R235		nsp	00MGD05154160	RES.	1/8W 150K OHMJ26MM G	R0155571
MAIN	R238		nsp	00MGD05473160	RES.	1/8W 47K OHMJ26MM G	R0155451
MAIN	R239		nsp	00MGD05123160	RES.	1/8W 12K OHMJ26MM G	R0155311
MAIN	R240		nsp	00MGD05680160	RES.	1/8W 68 OHMJ26MM G	3R000441
MAIN	R248		nsp	00MGD05102160	RES.	1/8W 1.0K OHMJ26MM G	R0155051
MAIN	R249		nsp	00MGD05473160	RES.	1/8W 47K OHMJ26MM G	R0155451
MAIN	R250		nsp	00MGD05333160	RES.	1/8W 33K OHMJ26MM G	R0155411
MAIN	R251		nsp	00MGD05273160	RES.	1/8W 27K OHMJ26MM G	R0155391
MAIN	R252		nsp	00MGD05153160	RES.	1/8W 15K OHMJ26MM G	R0155331
MAIN	R253		nsp	00MGD05182160	RES.	1/8W 1.8K OHMJ26MM G	R0155111
MAIN	R254		nsp	00MGD05333160	RES.	1/8W 33K OHMJ26MM G	R0155411
MAIN	R255		nsp	00MGD05393160	RES.	1/8W 39K OHMJ26MM G	R0155431
MAIN	R256		nsp	90M-GD000360R	RES.	1/8W 360 OHMJ26MM G	3R000611
MAIN	R257		nsp	00MGD05332160	RES.	1/8W 3.3K OHMJ26MM G	R0155171
MAIN	R258		nsp	00MGD05223160	RES.	1/8W 22K OHMJ26MM G	R0155371
MAIN	R259		nsp	00MGD05153160	RES.	1/8W 15K OHMJ26MM G	R0155331
MAIN	R260		nsp	00MGD05123160	RES.	1/8W 12K OHMJ26MM G	R0155311
MAIN	R263		nsp	00MGD05563160	RES.	1/8W 56K OHMJ26MM G	R0155471
MAIN	R301		nsp	00MGD05472160	RES.	1/8W 4.7K OHMJ26MM G	R0155211
MAIN	R302		nsp	00MGD05183160	RES.	1/8W 18K OHMJ26MM G	3R001021
MAIN	R303		nsp	00MGD05472160	RES.	1/8W 4.7K OHMJ26MM G	R0155211
MAIN	R305		nsp	00MGD05473160	RES.	1/8W 47K OHMJ26MM G	R0155451
MAIN	R306		nsp	00MGD05473160	RES.	1/8W 47K OHMJ26MM G	R0155451
MAIN	R307		nsp	00MGD05473160	RES.	1/8W 47K OHMJ26MM G	R0155451
MAIN	R308		nsp	00MGD05473160	RES.	1/8W 47K OHMJ26MM G	R0155451
MAIN	R309		nsp	00MGD05473160	RES.	1/8W 47K OHMJ26MM G	R0155451

NOTE : *nsp* PART IS LISTED FOR REFERENCE ONLY, MARANTZ WILL NOT SUPPLY THESE PARTS.

P.C.B. NAME	POS. NO.	VERS. COLOR	PART NO. (FOR EUR)	PART NO. (MZ)	PART NAME	DESCRIPTION	
MAIN	R310		nsp	00MGD05473160	RES.	1/8W 47K OHMJ26MM G	R0155451
MAIN	R350		nsp	00MGD05473160	RES.	1/8W 47K OHMJ26MM G	R0155451
MAIN	R351		nsp	00MGD05223160	RES.	1/8W 22K OHMJ26MM G	R0155371
MAIN	R353		nsp	00MGD05183160	RES.	1/8W 18K OHMJ26MM G	3R001021
MAIN	R354		nsp	00MGD05183160	RES.	1/8W 18K OHMJ26MM G	3R001021
MAIN	R356		nsp	00MGD05272160	RES.	1/8W 2.7K OHMJ26MM G	R0155151
MAIN	R357		nsp	00MGD05102160	RES.	1/8W 1.0K OHMJ26MM G	R0155051
MAIN	R358		nsp	00MGD05273160	RES.	1/8W 27K OHMJ26MM G	R0155391
MAIN	R359		nsp	00MGD05273160	RES.	1/8W 27K OHMJ26MM G	R0155391
MAIN	R360		nsp	00MGD05473160	RES.	1/8W 47K OHMJ26MM G	R0155451
MAIN	R361		nsp	00MGD05473160	RES.	1/8W 47K OHMJ26MM G	R0155451
MAIN	R362		nsp	00MGD05562160	RES.	1/8W 5.6K OHMJ26MM G	3R000901
MAIN	R363		nsp	00MGD05562160	RES.	1/8W 5.6K OHMJ26MM G	3R000901
MAIN	R367		nsp	00MGD05223160	RES.	1/8W 22K OHMJ26MM G	R0155371
MAIN	R368		nsp	00MGD05223160	RES.	1/8W 22K OHMJ26MM G	R0155371
MAIN	R370		nsp	00MGD05102160	RES.	1/8W 1.0K OHMJ26MM G	R0155051
MAIN	R371		nsp	00MGD05331160	RES.	1/8W 330 OHMJ26MM G	R0154931
MAIN	R373		nsp	00MGD05471160	RES.	1/8W 470 OHMJ26MM G	R0154971
MAIN	R374		nsp	00MGD05471160	RES.	1/8W 470 OHMJ26MM G	R0154971
MAIN	R375		nsp	00MGD05272160	RES.	1/8W 2.7K OHMJ26MM G	R0155151
MAIN	R376		nsp	00MGD05332160	RES.	1/8W 3.3K OHMJ26MM G	R0155171
MAIN	R378		nsp	00MGD05680160	RES.	1/8W 68 OHMJ26MM G	3R000441
MAIN	R381		nsp	00MGD05473160	RES.	1/8W 47K OHMJ26MM G	R0155451
MAIN	R382		nsp	00MGD05473160	RES.	1/8W 47K OHMJ26MM G	R0155451
MAIN	R383		nsp	00MGD05561160	RES.	1/8W 560 OHMJ26MM G	R0154991
MAIN	R385		nsp	nsp	RES.	1/4W 6.8 OHMJ26MM G	3R001911
MAIN	R386		nsp	nsp	RES.	1/4W 6.8 OHMJ26MM G	3R001911
MAIN	R387		nsp	00MGD05223160	RES.	1/8W 22K OHMJ26MM G	R0155371
MAIN	R388		nsp	00MGD05104160	RES.	1/8W 100K OHMJ26MM G	R0155531
MAIN	R391		nsp	00MGD05271160	RES.	1/8W 270 OHMJ26MM G	R0154911
MAIN	R392		nsp	00MGD05473160	RES.	1/8W 47K OHMJ26MM G	R0155451
MAIN	R393		nsp	00MGD05472160	RES.	1/8W 4.7K OHMJ26MM G	R0155211
MAIN	TP3		nsp	nsp	CORD	JUMPER WIRE, 5MM G	E0123241
MAIN	TP4		nsp	nsp	CORD	JUMPER WIRE, 5MM G	E0123241
MAIN	U101		00MBA20024210	00MBA20024210	TRS.	DTC124ES TP G	3S000291
MAIN	U102		00MBA20024210	00MBA20024210	TRS.	DTC124ES TP G	3S000291
MAIN	U103		00MBA20024210	00MBA20024210	TRS.	DTC124ES TP G	3S000291
MAIN	U201		00MBA20024210	00MBA20024210	TRS.	DTC124ES TP G	3S000291
MAIN	U202		00MBA20024210	00MBA20024210	TRS.	DTC124ES TP G	3S000291
MAIN	U203		00MBA20024210	00MBA20024210	TRS.	DTC124ES TP G	3S000291
MAIN	U301		90M-HC109770R	90M-HC109770R	IC	UPC4570C-A G	3S000280G
MAIN	U302		00MHC406621B0	00MHC406621B0	IC	BU4066BC G	3S000430
MAIN	U303		90M-HC109770R	90M-HC109770R	IC	UPC4570C-A G	3S000280G
MAIN	U304		00MHC406621B0	00MHC406621B0	IC	BU4066BC G	3S000430
MAIN	U305		90M-HC109760R	90M-HC109760R	IC	HA12134AFEL-E G	S0061754
MAIN	U306		00MHC406621B0	00MHC406621B0	IC	BU4066BC G	3S000430
MAIN	U307		00MHC10003090	00MHC10003090	IC	NJM4558D-#ZZZB G	3S000260G
MAIN	U308		00MHC10003090	00MHC10003090	IC	NJM4558D-#ZZZB G	3S000260G
MAIN	U309		00MHC405205B0	00MHC405205B0	IC	TC4052BP G	3S000470G
MAIN	U310		00MHC100100AR	00MHC100100AR	IC	UPC1297CA-A G	3S000270G
MAIN	U311		00MHC10003090	00MHC10003090	IC	NJM4558D-#ZZZB G	3S000260G
MAIN	U312		00MHC10003090	00MHC10003090	IC	NJM4558D-#ZZZB G	3S000260G
MAIN	U315		00MHC10003090	00MHC10003090	IC	NJM4558D-#ZZZB G	3S000260G
MAIN	U321		00MBA20024210	00MBA20024210	TRS.	DTC124ES TP G	3S000291
MAIN	U322		00MBA20024210	00MBA20024210	TRS.	DTC124ES TP G	3S000291
MAIN	U323		00MBA20024210	00MBA20024210	TRS.	DTC124ES TP G	3S000291
MAIN	U324		00MBA20024210	00MBA20024210	TRS.	DTC124ES TP G	3S000291
MAIN	U325		00MBA20024210	00MBA20024210	TRS.	DTC124ES TP G	3S000291
MAIN	U327		00MBA10016210	00MBA10016210	TRS.	DTA124ES TP G	3S000301
MAIN	U328		00MBA10016210	00MBA10016210	TRS.	DTA124ES TP G	3S000301
MAIN	U329		00MBA10016210	00MBA10016210	TRS.	DTA124ES TP G	3S000301
MAIN	U330		00MBA10016210	00MBA10016210	TRS.	DTA124ES TP G	3S000301
MAIN	U331		00MBA10016210	00MBA10016210	TRS.	DTA124ES TP G	3S000301
MAIN	U332		00MBA10016210	00MBA10016210	TRS.	DTA124ES TP G	3S000301
MAIN	U335		00MBA10016210	00MBA10016210	TRS.	DTA124ES TP G	3S000301
MAIN	U336		00MBA10016210	00MBA10016210	TRS.	DTA124ES TP G	3S000301
MAIN	U337		00MBA10016210	00MBA10016210	TRS.	DTA124ES TP G	3S000301

NOTE : "nsp" PART IS LISTED FOR REFERENCE ONLY, MARANTZ WILL NOT SUPPLY THESE PARTS.

P.C.B. NAME	POS. NO.	VERS. COLOR	PART NO. (FOR EUR)	PART NO. (MZ)	PART NAME	DESCRIPTION	
MAIN	U338		00MBA20024210	00MBA20024210	TRS.	DTC124ES TP G	3S000291
MAIN	U339		00MBA20024210	00MBA20024210	TRS.	DTC124ES TP G	3S000291
MAIN	U340		00MBA20024210	00MBA20024210	TRS.	DTC124ES TP G	3S000291
MAIN	U342		00MBA10016210	00MBA10016210	TRS.	DTA124ES TP G	3S000301
MAIN	U343		00MBA20024210	00MBA20024210	TRS.	DTC124ES TP G	3S000291
MAIN	U345		00MBA10016210	00MBA10016210	TRS.	DTA124ES TP G	3S000301
MAIN	U346		00MBA10016210	00MBA10016210	TRS.	DTA124ES TP G	3S000301
MAIN	U347		00MBA20024210	00MBA20024210	TRS.	DTC124ES TP G	3S000291
MAIN	U348		00MBA20024210	00MBA20024210	TRS.	DTC124ES TP G	3S000291
MAIN	U349		00MBA20024210	00MBA20024210	TRS.	DTC124ES TP G	3S000291
MAIN	W1		nsp	nsp	CORD	JUMPER WIRE, 10MM G	E0123301
MAIN	W2		nsp	nsp	CORD	JUMPER WIRE, 5MM G	E0123241
MAIN	W3		nsp	nsp	CORD	JUMPER WIRE, 10MM G	E0123301
MAIN	W4		nsp	nsp	CORD	JUMPER WIRE, 7.5MM G	E0123271
MAIN	W5		nsp	nsp	CORD	JUMPER WIRE, 5MM G	E0123241
MAIN	W6		nsp	nsp	CORD	JUMPER WIRE, 10MM G	E0123301
MAIN	W7		nsp	nsp	CORD	JUMPER WIRE, 7.5MM G	E0123271
MAIN	W8		nsp	nsp	CORD	JUMPER WIRE, 7.5MM G	E0123271
MAIN	W9		nsp	nsp	CORD	JUMPER WIRE, 10MM G	E0123301
MAIN	W10		nsp	nsp	CORD	JUMPER WIRE, 7.5MM G	E0123271
MAIN	W11		nsp	nsp	CORD	JUMPER WIRE, 7.5MM G	E0123271
MAIN	W12		nsp	nsp	CORD	JUMPER WIRE, 10MM G	E0123301
MAIN	W13		nsp	nsp	CORD	JUMPER WIRE, 7.5MM G	E0123271
MAIN	W14		nsp	nsp	CORD	JUMPER WIRE, 10MM G	E0123301
MAIN	W15		nsp	nsp	CORD	JUMPER WIRE, 10MM G	E0123301
MAIN	W16		nsp	nsp	CORD	JUMPER WIRE, 10MM G	E0123301
MAIN	W17		nsp	nsp	CORD	JUMPER WIRE, 7.5MM G	E0123271
MAIN	W18		nsp	nsp	CORD	JUMPER WIRE, 10MM G	E0123301
MAIN	W19		nsp	nsp	CORD	JUMPER WIRE, 10MM G	E0123301
MAIN	W20		nsp	nsp	CORD	JUMPER WIRE, 10MM G	E0123301
MAIN	W21		nsp	nsp	CORD	JUMPER WIRE, 5MM G	E0123241
MAIN	W22		nsp	nsp	CORD	JUMPER WIRE, 7.5MM G	E0123271
MAIN	W23		nsp	nsp	CORD	JUMPER WIRE, 7.5MM G	E0123271
MAIN	W24		nsp	nsp	CORD	JUMPER WIRE, 10MM G	E0123301
MAIN	W25		nsp	nsp	CORD	JUMPER WIRE, 10MM G	E0123301
MAIN	W26		nsp	nsp	CORD	JUMPER WIRE, 5MM G	E0123241
MAIN	W27		nsp	nsp	CORD	JUMPER WIRE, 10MM G	E0123301
MAIN	W28		nsp	nsp	CORD	JUMPER WIRE, 10MM G	E0123301
MAIN	W29		nsp	nsp	CORD	JUMPER WIRE, 10MM G	E0123301
MAIN	W30		nsp	nsp	CORD	JUMPER WIRE, 10MM G	E0123301
MAIN	W31		nsp	nsp	CORD	JUMPER WIRE, 10MM G	E0123301
MAIN	W32		nsp	nsp	CORD	JUMPER WIRE, 10MM G	E0123301
MAIN	W33		nsp	nsp	CORD	JUMPER WIRE, 10MM G	E0123301
MAIN	W34		nsp	nsp	CORD	JUMPER WIRE, 10MM G	E0123301
MAIN	W35		nsp	nsp	CORD	JUMPER WIRE, 7.5MM G	E0123271
MAIN	W36		nsp	nsp	CORD	JUMPER WIRE, 7.5MM G	E0123271
MAIN	W37		nsp	nsp	CORD	JUMPER WIRE, 10MM G	E0123301
MAIN	W38		nsp	nsp	CORD	JUMPER WIRE, 10MM G	E0123301
MAIN	W39		nsp	nsp	CORD	JUMPER WIRE, 5MM G	E0123241
MAIN	W40		nsp	nsp	CORD	JUMPER WIRE, 5MM G	E0123241
MAIN	W41		nsp	nsp	CORD	JUMPER WIRE, 10MM G	E0123301
MAIN	W42		nsp	nsp	CORD	JUMPER WIRE, 7.5MM G	E0123271
MAIN	W43		nsp	nsp	CORD	JUMPER WIRE, 5MM G	E0123241
MAIN	W44		nsp	nsp	CORD	JUMPER WIRE, 7.5MM G	E0123271
MAIN	W45		nsp	nsp	CORD	JUMPER WIRE, 10MM G	E0123301
MAIN	W46		nsp	nsp	CORD	JUMPER WIRE, 10MM G	E0123301
MAIN	W47		nsp	nsp	CORD	JUMPER WIRE, 5MM G	E0123241
MAIN	W48		nsp	nsp	CORD	JUMPER WIRE, 5MM G	E0123241
MAIN	W49		nsp	nsp	CORD	JUMPER WIRE, 10MM G	E0123301
MAIN	W50		nsp	nsp	CORD	JUMPER WIRE, 5MM G	E0123241
MAIN	W51		nsp	nsp	CORD	JUMPER WIRE, 10MM G	E0123301
MAIN	W52		nsp	nsp	CORD	JUMPER WIRE, 10MM G	E0123301
MAIN	W53		nsp	nsp	CORD	JUMPER WIRE, 10MM G	E0123301
MAIN	W54		nsp	nsp	CORD	JUMPER WIRE, 10MM G	E0123301
MAIN	W55		nsp	nsp	CORD	JUMPER WIRE, 10MM G	E0123301
MAIN	W56		nsp	nsp	CORD	JUMPER WIRE, 5MM G	E0123241
MAIN	W57		nsp	nsp	CORD	JUMPER WIRE, 10MM G	E0123301

NOTE : *nsp* PART IS LISTED FOR REFERENCE ONLY, MARANTZ WILL NOT SUPPLY THESE PARTS.

P.C.B. NAME	POS. NO.	VERS. COLOR	PART NO. (FOR EUR)	PART NO. (MZ)	PART NAME	DESCRIPTION	
MAIN	W58		nsp	nsp	CORD	JUMPER WIRE, 5MM G	E0123241
MAIN	W59		nsp	nsp	CORD	JUMPER WIRE, 7.5MM G	E0123271
MAIN	W60		nsp	nsp	CORD	JUMPER WIRE, 7.5MM G	E0123271
MAIN	W61		nsp	nsp	CORD	JUMPER WIRE, 10MM G	E0123301
MAIN	W63		nsp	nsp	CORD	JUMPER WIRE, 7.5MM G	E0123271
MAIN	W64		nsp	nsp	CORD	JUMPER WIRE, 10MM G	E0123301
MAIN	W65		nsp	nsp	CORD	JUMPER WIRE, 10MM G	E0123301
MAIN	W66		nsp	nsp	CORD	JUMPER WIRE, 10MM G	E0123301
MAIN	W67		nsp	nsp	CORD	JUMPER WIRE, 10MM G	E0123301
MAIN	W68		nsp	nsp	CORD	JUMPER WIRE, 12.5MM G	E0123331
MAIN	W69		nsp	nsp	CORD	JUMPER WIRE, 10MM G	E0123301
MAIN	W70		nsp	nsp	CORD	JUMPER WIRE, 12.5MM G	E0123331
MAIN	W71		nsp	nsp	CORD	JUMPER WIRE, 10MM G	E0123301
MAIN	W72		nsp	nsp	CORD	JUMPER WIRE, 10MM G	E0123301
MAIN	W73		nsp	nsp	CORD	JUMPER WIRE, 12.5MM G	E0123331
MAIN	W74		nsp	nsp	CORD	JUMPER WIRE, 5MM G	E0123241
MAIN	W75		nsp	nsp	CORD	JUMPER WIRE, 5MM G	E0123241
MAIN	W76		nsp	nsp	CORD	JUMPER WIRE, 7.5MM G	E0123271
MAIN	W77		nsp	nsp	CORD	JUMPER WIRE, 10MM G	E0123301
MAIN	W78		nsp	nsp	CORD	JUMPER WIRE, 10MM G	E0123301
MAIN	W80		nsp	nsp	CORD	JUMPER WIRE, 10MM G	E0123301
MAIN	W81		nsp	nsp	CORD	JUMPER WIRE, 10MM G	E0123301
MAIN	W82		nsp	nsp	CORD	JUMPER WIRE, 10MM G	E0123301
MAIN	W83		nsp	nsp	CORD	JUMPER WIRE, 10MM G	E0123301
MAIN	W84		nsp	nsp	CORD	JUMPER WIRE, 7.5MM G	E0123271
MAIN	W86		nsp	nsp	CORD	JUMPER WIRE, 10MM G	E0123301
MAIN	W87		nsp	nsp	CORD	JUMPER WIRE, 10MM G	E0123301
MAIN	W88		nsp	nsp	CORD	JUMPER WIRE, 10MM G	E0123301
MAIN	W89		nsp	nsp	CORD	JUMPER WIRE, 10MM G	E0123301
MAIN	W90		nsp	nsp	CORD	JUMPER WIRE, 10MM G	E0123301
MAIN	W91		nsp	nsp	CORD	JUMPER WIRE, 10MM G	E0123301
MAIN	W92		nsp	nsp	CORD	JUMPER WIRE, 10MM G	E0123301
MAIN	W93		nsp	nsp	CORD	JUMPER WIRE, 10MM G	E0123301
MAIN	W94		nsp	nsp	CORD	JUMPER WIRE, 10MM G	E0123301
MAIN	W95		nsp	nsp	CORD	JUMPER WIRE, 10MM G	E0123301
MAIN	W96		nsp	nsp	CORD	JUMPER WIRE, 10MM G	E0123301
MAIN	W97		nsp	nsp	CORD	JUMPER WIRE, 10MM G	E0123301
MAIN	W98		nsp	nsp	CORD	JUMPER WIRE, 10MM G	E0123301
MAIN	W99		nsp	nsp	CORD	JUMPER WIRE, 10MM G	E0123301
MAIN	W100		nsp	nsp	CORD	JUMPER WIRE, 10MM G	E0123301
MAIN	W101		nsp	nsp	CORD	JUMPER WIRE, 10MM G	E0123301
MAIN	W102		nsp	nsp	CORD	JUMPER WIRE, 10MM G	E0123301
MAIN	W103		nsp	nsp	CORD	JUMPER WIRE, 10MM G	E0123301
MAIN	W104		nsp	nsp	CORD	JUMPER WIRE, 10MM G	E0123301
MAIN	W105		nsp	nsp	CORD	JUMPER WIRE, 10MM G	E0123301
MAIN	W106		nsp	nsp	CORD	JUMPER WIRE, 10MM G	E0123301
MAIN	W107		nsp	nsp	CORD	JUMPER WIRE, 10MM G	E0123301
MAIN	W108		nsp	nsp	CORD	JUMPER WIRE, 10MM G	E0123301
MAIN	W109		nsp	nsp	CORD	JUMPER WIRE, 10MM G	E0123301
MAIN	W110		nsp	nsp	CORD	JUMPER WIRE, 10MM G	E0123301
MAIN	W111		nsp	nsp	CORD	JUMPER WIRE, 10MM G	E0123301
MAIN	W112		nsp	nsp	CORD	JUMPER WIRE, 10MM G	E0123301
MAIN	W113		nsp	nsp	CORD	JUMPER WIRE, 10MM G	E0123301
MAIN	W115		nsp	nsp	CORD	JUMPER WIRE, 10MM G	E0123301
MAIN	W116		nsp	nsp	CORD	JUMPER WIRE, 10MM G	E0123301
MAIN	W117		nsp	nsp	CORD	JUMPER WIRE, 10MM G	E0123301
MAIN	W118		nsp	nsp	CORD	JUMPER WIRE, 10MM G	E0123301
MAIN	W119		nsp	nsp	CORD	JUMPER WIRE, 5MM G	E0123241
MAIN	W120		nsp	nsp	CORD	JUMPER WIRE, 10MM G	E0123301
MAIN	W121		nsp	nsp	CORD	JUMPER WIRE, 5MM G	E0123241
MAIN	W122		nsp	nsp	CORD	JUMPER WIRE, 10MM G	E0123301
MAIN	W123		nsp	nsp	CORD	JUMPER WIRE, 10MM G	E0123301
MAIN	W124		nsp	nsp	CORD	JUMPER WIRE, 5MM G	E0123241
MAIN	W125		nsp	nsp	CORD	JUMPER WIRE, 5MM G	E0123241
MAIN	W126		nsp	nsp	CORD	JUMPER WIRE, 12.5MM G	E0123331
MAIN	W127		nsp	nsp	CORD	JUMPER WIRE, 10MM G	E0123301
MAIN	W128		nsp	nsp	CORD	JUMPER WIRE, 10MM G	E0123301

NOTE : "nsp" PART IS LISTED FOR REFERENCE ONLY, MARANTZ WILL NOT SUPPLY THESE PARTS.

P.C.B. NAME	POS. NO.	VERS. COLOR	PART NO. (FOR EUR)	PART NO. (MZ)	PART NAME	DESCRIPTION	
MAIN	W129		nsp	nsp	CORD	JUMPER WIRE, 10MM G	E0123301
MAIN	W130		nsp	nsp	CORD	JUMPER WIRE, 10MM G	E0123301
MAIN	W131		nsp	nsp	CORD	JUMPER WIRE, 10MM G	E0123301
MAIN	W132		nsp	nsp	CORD	JUMPER WIRE, 10MM G	E0123301
MAIN	W133		nsp	nsp	CORD	JUMPER WIRE, 10MM G	E0123301
MAIN	W134		nsp	nsp	CORD	JUMPER WIRE, 10MM G	E0123301
MAIN	W135		nsp	nsp	CORD	JUMPER WIRE, 10MM G	E0123301
MAIN	W136		nsp	nsp	CORD	JUMPER WIRE, 7.5MM G	E0123271
MAIN	W137		nsp	nsp	CORD	JUMPER WIRE, 10MM G	E0123301
MAIN	W138		nsp	nsp	CORD	JUMPER WIRE, 10MM G	E0123301
MAIN	W139		nsp	nsp	CORD	JUMPER WIRE, 10MM G	E0123301
MAIN	W140		nsp	nsp	CORD	JUMPER WIRE, 10MM G	E0123301
MAIN	W141		nsp	nsp	CORD	JUMPER WIRE, 10MM G	E0123301
MAIN	W142		nsp	nsp	CORD	JUMPER WIRE, 10MM G	E0123301
MAIN	W143		nsp	nsp	CORD	JUMPER WIRE, 10MM G	E0123301
MAIN	W144		nsp	nsp	CORD	JUMPER WIRE, 10MM G	E0123301
MAIN	W145		nsp	nsp	CORD	JUMPER WIRE, 7.5MM G	E0123271
MAIN	W146		nsp	nsp	CORD	JUMPER WIRE, 10MM G	E0123301
MAIN	W147		nsp	nsp	CORD	JUMPER WIRE, 5MM G	E0123241
MAIN	W148		nsp	nsp	CORD	JUMPER WIRE, 10MM G	E0123301
MAIN	W150		nsp	nsp	CORD	JUMPER WIRE, 10MM G	E0123301
MAIN	W151		nsp	nsp	CORD	JUMPER WIRE, 10MM G	E0123301
MAIN	W152		nsp	nsp	CORD	JUMPER WIRE, 10MM G	E0123301
MAIN	W153		nsp	nsp	CORD	JUMPER WIRE, 10MM G	E0123301
MAIN	W154		nsp	nsp	CORD	JUMPER WIRE, 10MM G	E0123301
MAIN	W155		nsp	nsp	CORD	JUMPER WIRE, 10MM G	E0123301
MAIN	W156		nsp	nsp	CORD	JUMPER WIRE, 10MM G	E0123301
MAIN	W157		nsp	nsp	CORD	JUMPER WIRE, 10MM G	E0123301
MAIN	W158		nsp	nsp	CORD	JUMPER WIRE, 10MM G	E0123301
MAIN	W160		nsp	nsp	CORD	JUMPER WIRE, 10MM G	E0123301
MAIN	W161		nsp	nsp	CORD	JUMPER WIRE, 10MM G	E0123301
MAIN	W162		nsp	nsp	CORD	JUMPER WIRE, 10MM G	E0123301
MAIN	W163		nsp	nsp	CORD	JUMPER WIRE, 10MM G	E0123301
MAIN	W165		nsp	nsp	CORD	JUMPER WIRE, 10MM G	E0123301
MAIN	W167		nsp	nsp	CORD	JUMPER WIRE, 7.5MM G	E0123271
MAIN	W168		nsp	nsp	CORD	JUMPER WIRE, 7.5MM G	E0123271
MAIN	W169		nsp	nsp	CORD	JUMPER WIRE, 10MM G	E0123301
MAIN	W282		nsp	nsp	CORD	JUMPER WIRE, 10MM G	E0123301
MAIN	W283		nsp	nsp	CORD	JUMPER WIRE, 5MM G	E0123241
MAIN	W286		nsp	nsp	CORD	JUMPER WIRE, 5MM G	E0123241
MAIN	W287		nsp	nsp	CORD	JUMPER WIRE, 10MM G	E0123301
MAIN	W288`		nsp	nsp	CORD	JUMPER WIRE, 5MM G	E0123241
MAIN	W289		nsp	nsp	CORD	JUMPER WIRE, 10MM G	E0123301
MAIN	W291		nsp	nsp	CORD	JUMPER WIRE, 10MM G	E0123301
MAIN	W292		nsp	nsp	CORD	JUMPER WIRE, 10MM G	E0123301
MAIN	W293		nsp	nsp	CORD	JUMPER WIRE, 10MM G	E0123301
MAIN	W294		nsp	nsp	CORD	JUMPER WIRE, 10MM G	E0123301
MAIN	W295		nsp	nsp	CORD	JUMPER WIRE, 10MM G	E0123301
MAIN	W296		nsp	nsp	CORD	JUMPER WIRE, 10MM G	E0123301
MAIN	W309		nsp	nsp	CORD	JUMPER WIRE, 10MM G	E0123301
MAIN	W310		nsp	nsp	CORD	JUMPER WIRE, 5MM G	E0123241
MAIN	W311		nsp	nsp	CORD	JUMPER WIRE, 10MM G	E0123301
MAIN	W321		nsp	nsp	CORD	JUMPER WIRE, 6MM G	E0123251
MAIN	W322		nsp	nsp	CORD	JUMPER WIRE, 5MM G	E0123241
MAIN	W323		nsp	nsp	CORD	JUMPER WIRE, 5MM G	E0123241
MAIN	W330		nsp	nsp	CORD	JUMPER WIRE, 5MM G	E0123241
MAIN	W331		nsp	nsp	CORD	JUMPER WIRE, 5MM G	E0123241
MAIN	W334		nsp	nsp	CORD	JUMPER WIRE, 5MM G	E0123241
MAIN	W335		nsp	nsp	CORD	JUMPER WIRE, 7.5MM G	E0123271
MAIN	W336		nsp	nsp	CORD	JUMPER WIRE, 5MM G	E0123241
MAIN	W337		nsp	nsp	CORD	JUMPER WIRE, 7.5MM G	E0123271
MAIN	W338		nsp	nsp	CORD	JUMPER WIRE, 10MM G	E0123301
					TR PWB (E90288300A)		
TR	▲ Q307		90M-HT200450R	90M-HT200450R	TRS.	! 2SB1375(F, M)	3S004920G
TR	▲ U7		00MHC3890509F	00MHC3890509F	IC	! NJM7805FA G	S0066600
					SLIDE PWB (E90288500A)		
SLIDE	J304		nsp	nsp	CONN.	HARNESS ASSY, 3P DBY 865 G	E01282200A

NOTE : *nsp* PART IS LISTED FOR REFERENCE ONLY, MARANTZ WILL NOT SUPPLY THESE PARTS.

P.C.B. NAME	POS. NO.	VERS. COLOR	PART NO. (FOR EUR)	PART NO. (MZ)	PART NAME	DESCRIPTION	
SLIDE	SW21		90M-SS000600R	90M-SS000600R	SW	SW, SLIDE AXA 2-3-G	3E006380
SLIDE	SW26		90M-SS000600R	90M-SS000600R	SW	SW, SLIDE AXA 2-3-G	3E006380
SLIDE	SW27		90M-SS000780R	90M-SS000780R	SW	SW, SLIDE AXA 2-2-G	E0128230
SLIDE	W327		nsp	nsp	CORD	JUMPER WIRE, 5MM G	E0123241
KEY PWB (E90288100A)							
KEY			nsp	nsp	SPACER	SPACER, KY SF101060 G	M0247040
KEY			nsp	nsp	HOLDER	HOLDER FL(L) W-790R G	3M0060400A
KEY			nsp	nsp	HOLDER	HOLDER FL(R) W-790R G	3M0060500A
KEY	D9		nsp	00MHD20015210	DIODE	1SS133 T-77 G	S0067021
KEY	D10		nsp	00MHD20015210	DIODE	1SS133 T-77 G	S0067021
KEY	D11		nsp	00MHD20015210	DIODE	1SS133 T-77 G	S0067021
KEY	D12		nsp	00MHD20015210	DIODE	1SS133 T-77 G	S0067021
KEY	D13A		nsp	00MHD20015210	DIODE	1SS133 T-77 G	S0067021
KEY	D15		nsp	00MHD20015210	DIODE	1SS133 T-77 G	S0067021
KEY	D16		nsp	00MHD20015210	DIODE	1SS133 T-77 G	S0067021
KEY	D17		nsp	00MHD20015210	DIODE	1SS133 T-77 G	S0067021
KEY	D18		nsp	00MHD20015210	DIODE	1SS133 T-77 G	S0067021
KEY	D19		nsp	00MHD20015210	DIODE	1SS133 T-77 G	S0067021
KEY	D20A		nsp	00MHD20015210	DIODE	1SS133 T-77 G	S0067021
KEY	D22		nsp	00MHD20015210	DIODE	1SS133 T-77 G	S0067021
KEY	D23		nsp	00MHD20015210	DIODE	1SS133 T-77 G	S0067021
KEY	D25		nsp	00MHD20015210	DIODE	1SS133 T-77 G	S0067021
KEY	D26		nsp	00MHD20015210	DIODE	1SS133 T-77 G	S0067021
KEY	D27A		nsp	00MHD20015210	DIODE	1SS133 T-77 G	S0067021
KEY	D29		nsp	00MHD20015210	DIODE	1SS133 T-77 G	S0067021
KEY	D33		nsp	00MHD20015210	DIODE	1SS133 T-77 G	S0067021
KEY	D34		nsp	00MHD20015210	DIODE	1SS133 T-77 G	S0067021
KEY	D35		nsp	00MHD20015210	DIODE	1SS133 T-77 G	S0067021
KEY	D41		nsp	00MHD20015210	DIODE	1SS133 T-77 G	S0067021
KEY	FL1		90M-HQ300740R	90M-HQ300740R	DISPLAY	DISPLAY, FL SVAC065M14 G	3E0106310B
KEY	P501-J501		nsp	nsp	CORD	6P SLIDE WIRE G	3E0077001A
KEY	R80		nsp	00MGD05223160	RES.	1/8W 22K OHMJ26MM G	R0155371
KEY	R81		nsp	00MGD05223160	RES.	1/8W 22K OHMJ26MM G	R0155371
KEY	R82		nsp	00MGD05223160	RES.	1/8W 22K OHMJ26MM G	R0155371
KEY	R83		nsp	00MGD05223160	RES.	1/8W 22K OHMJ26MM G	R0155371
KEY	SW1		90M-SP001370R	90M-SP001370R	SW	SW, TACT SKHHAM2520 G	E0127100
KEY	SW2		90M-SP001370R	90M-SP001370R	SW	SW, TACT SKHHAM2520 G	E0127100
KEY	SW3		90M-SP001370R	90M-SP001370R	SW	SW, TACT SKHHAM2520 G	E0127100
KEY	SW4		90M-SP001370R	90M-SP001370R	SW	SW, TACT SKHHAM2520 G	E0127100
KEY	SW5		90M-SP001370R	90M-SP001370R	SW	SW, TACT SKHHAM2520 G	E0127100
KEY	SW7		90M-SP001370R	90M-SP001370R	SW	SW, TACT SKHHAM2520 G	E0127100
KEY	SW8		90M-SP001370R	90M-SP001370R	SW	SW, TACT SKHHAM2520 G	E0127100
KEY	SW9		90M-SP001370R	90M-SP001370R	SW	SW, TACT SKHHAM2520 G	E0127100
KEY	SW10		90M-SP001370R	90M-SP001370R	SW	SW, TACT SKHHAM2520 G	E0127100
KEY	SW11		90M-SP001370R	90M-SP001370R	SW	SW, TACT SKHHAM2520 G	E0127100
KEY	SW12		90M-SP001370R	90M-SP001370R	SW	SW, TACT SKHHAM2520 G	E0127100
KEY	SW14		90M-SP001370R	90M-SP001370R	SW	SW, TACT SKHHAM2520 G	E0127100
KEY	SW15		90M-SP001370R	90M-SP001370R	SW	SW, TACT SKHHAM2520 G	E0127100
KEY	SW17		90M-SP001370R	90M-SP001370R	SW	SW, TACT SKHHAM2520 G	E0127100
KEY	SW18		90M-SP001370R	90M-SP001370R	SW	SW, TACT SKHHAM2520 G	E0127100
KEY	SW19		90M-SP001370R	90M-SP001370R	SW	SW, TACT SKHHAM2520 G	E0127100
KEY	SW22		90M-SP001370R	90M-SP001370R	SW	SW, TACT SKHHAM2520 G	E0127100
KEY	SW24		90M-SP001370R	90M-SP001370R	SW	SW, TACT SKHHAM2520 G	E0127100
KEY	SW25		90M-SP001370R	90M-SP001370R	SW	SW, TACT SKHHAM2520 G	E0127100
KEY	U56		90M-HW100830R	90M-HW100830R	PHOTO UNIT	RMT, SENSOR RPM7138-V4 G	3S037070G
KEY	W174		nsp	nsp	CORD	JUMPER WIRE, 10MM G	E0123301
KEY	W175		nsp	nsp	CORD	JUMPER WIRE, 10MM G	E0123301
KEY	W176		nsp	nsp	CORD	JUMPER WIRE, 10MM G	E0123301
KEY	W177		nsp	nsp	CORD	JUMPER WIRE, 10MM G	E0123301
KEY	W178		nsp	nsp	CORD	JUMPER WIRE, 10MM G	E0123301
KEY	W179		nsp	nsp	CORD	JUMPER WIRE, 10MM G	E0123301
KEY	W180		nsp	nsp	CORD	JUMPER WIRE, 10MM G	E0123301
KEY	W181		nsp	nsp	CORD	JUMPER WIRE, 10MM G	E0123301
KEY	W182		nsp	nsp	CORD	JUMPER WIRE, 10MM G	E0123301
KEY	W183		nsp	nsp	CORD	JUMPER WIRE, 10MM G	E0123301
KEY	W184		nsp	nsp	CORD	JUMPER WIRE, 10MM G	E0123301
KEY	W185		nsp	nsp	CORD	JUMPER WIRE, 10MM G	E0123301

NOTE : "nsp" PART IS LISTED FOR REFERENCE ONLY, MARANTZ WILL NOT SUPPLY THESE PARTS.

P.C.B. NAME	POS. NO.	VERS. COLOR	PART NO. (FOR EUR)	PART NO. (MZ)	PART NAME	DESCRIPTION	
KEY	W186		nsp	nsp	CORD	JUMPER WIRE, 10MM G	E0123301
KEY	W187		nsp	nsp	CORD	JUMPER WIRE, 10MM G	E0123301
KEY	W188		nsp	nsp	CORD	JUMPER WIRE, 10MM G	E0123301
KEY	W189		nsp	nsp	CORD	JUMPER WIRE, 10MM G	E0123301
KEY	W190		nsp	nsp	CORD	JUMPER WIRE, 10MM G	E0123301
KEY	W191		nsp	nsp	CORD	JUMPER WIRE, 10MM G	E0123301
KEY	W192		nsp	nsp	CORD	JUMPER WIRE, 10MM G	E0123301
KEY	W193		nsp	nsp	CORD	JUMPER WIRE, 10MM G	E0123301
KEY	W194		nsp	nsp	CORD	JUMPER WIRE, 10MM G	E0123301
KEY	W195		nsp	nsp	CORD	JUMPER WIRE, 10MM G	E0123301
KEY	W196		nsp	nsp	CORD	JUMPER WIRE, 10MM G	E0123301
KEY	W197		nsp	nsp	CORD	JUMPER WIRE, 10MM G	E0123301
KEY	W198		nsp	nsp	CORD	JUMPER WIRE, 10MM G	E0123301
KEY	W199		nsp	nsp	CORD	JUMPER WIRE, 10MM G	E0123301
KEY	W200		nsp	nsp	CORD	JUMPER WIRE, 10MM G	E0123301
KEY	W201		nsp	nsp	CORD	JUMPER WIRE, 10MM G	E0123301
KEY	W202		nsp	nsp	CORD	JUMPER WIRE, 10MM G	E0123301
KEY	W203		nsp	nsp	CORD	JUMPER WIRE, 10MM G	E0123301
KEY	W205		nsp	nsp	CORD	JUMPER WIRE, 10MM G	E0123301
KEY	W208		nsp	nsp	CORD	JUMPER WIRE, 10MM G	E0123301
KEY	W265		nsp	nsp	CORD	JUMPER WIRE, 5MM G	E0123241
KEY	W266		nsp	nsp	CORD	JUMPER WIRE, 5MM G	E0123241
KEY	W267		nsp	nsp	CORD	JUMPER WIRE, 5MM G	E0123241
KEY	W268		nsp	nsp	CORD	JUMPER WIRE, 10MM G	E0123301
KEY	W269		nsp	nsp	CORD	JUMPER WIRE, 10MM G	E0123301
KEY	W271		nsp	nsp	CORD	JUMPER WIRE, 5MM G	E0123241
KEY	W272		nsp	nsp	CORD	JUMPER WIRE, 5MM G	E0123241
KEY	W274		nsp	nsp	CORD	JUMPER WIRE, 5MM G	E0123241
KEY	W275		nsp	nsp	CORD	JUMPER WIRE, 5MM G	E0123241
KEY	W276		nsp	nsp	CORD	JUMPER WIRE, 5MM G	E0123241
KEY	W277		nsp	nsp	CORD	JUMPER WIRE, 5MM G	E0123241
KEY	W278		nsp	nsp	CORD	JUMPER WIRE, 10MM G	E0123301
KEY	W304		nsp	nsp	CORD	JUMPER WIRE, 10MM G	E0123301
KEY	W305A		nsp	nsp	CORD	JUMPER WIRE, 5MM G	E0123241
KEY	W306A		nsp	nsp	CORD	JUMPER WIRE, 5MM G	E0123241
KEY	W307A		nsp	nsp	CORD	JUMPER WIRE, 5MM G	E0123241
KEY	W308		nsp	nsp	CORD	JUMPER WIRE, 5MM G	E0123241
KEY	W314		nsp	nsp	CORD	JUMPER WIRE, 7.5MM G	E0123271
KEY	W317		nsp	nsp	CORD	JUMPER WIRE, 10MM G	E0123301
KEY	W318		nsp	nsp	CORD	JUMPER WIRE, 10MM G	E0123301
KEY	W324		nsp	nsp	CORD	JUMPER WIRE, 5MM G	E0123241
KEY	W328		nsp	nsp	CORD	JUMPER WIRE, 5MM G	E0123241
					CONTROL PWB (E90288200A)		
CRTL	C1		nsp	00MOA10703520	ELECT CAP.	CE, 35V 100 UF M TP G	3C000702
CRTL	C2		nsp	00MOA33703520	ELECT CAP.	CE, 35V 330UF M G	3C000860
CRTL	C3		nsp	00MOA33703520	ELECT CAP.	CE, 35V 330UF M G	3C000860
CRTL	C4		nsp	nsp	FILM CAP.	CQ, 100V0.047UFJ MYLARTP G	3C003422
CRTL	C5		nsp	00MOA10601620	ELECT CAP.	CE, 16V 10UFMTPG	C0051322
CRTL	C6		nsp	00MOA10601620	ELECT CAP.	CE, 16V 10UFMTPG	C0051322
CRTL	C7		90M-EA000660R	90M-EA000660R	ELECT CAP.	CE, 25V 220UF M F/5.0 G	3C000770
CRTL	C8		nsp	nsp	CER. CAP.	CC, F 50V 0.010UF Z CERTPG	3C005992
CRTL	C9		nsp	nsp	FILM CAP.	CQ, 100V0.022UFJ MYLARTP G	3C003342
CRTL	C10		nsp	00MOA10702520	ELECT CAP.	CE, 25V 100 UF M TP G	3C000692
CRTL	D1		90M-HD301680R	90M-HD301680R	ZENER DIODE	MTZJ22C T-77 G	3S001801
CRTL	D2		nsp	00MHD200010AR	DIODE	1N4003-F TAPINGW=52 G	3S000031
CRTL	D3		nsp	00MHD200010AR	DIODE	1N4003-F TAPINGW=52 G	3S000031
CRTL	D4		nsp	00MHD20015210	DIODE	1SS133 T-77 G	S0067021
CRTL	D5		nsp	00MHD200010AR	DIODE	1N4003-F TAPINGW=52 G	3S000031
CRTL	D8		90M-HD302370R	90M-HD302370R	ZENER DIODE	MTZJ3.9B TP G	3S001521
CRTL	D50		nsp	00MHD200010AR	DIODE	1N4003-F TAPINGW=52 G	3S000031
CRTL	D51		nsp	00MHD200010AR	DIODE	1N4003-F TAPINGW=52 G	3S000031
CRTL	J307		nsp	nsp	CORD	12P CONTROL WIRE G	3E0076501A
CRTL	J308		nsp	nsp	CORD	9P CONTROL WIRE G	3E0076600A
CRTL	J318		nsp	nsp	CONN.	CONNECTOR, B 2B-PH-K-S G	E0119730
CRTL	J319		nsp	nsp	CORD	10P CTL WIRE ASSY G	3E0030200A
CRTL	J320		nsp	nsp	CORD	13P CTL WIRE ASSY G	3E0030100A
CRTL	J503		nsp	nsp	CONN.	CONNECTOR, B 3B-PH-K-S G	E0119740

NOTE : *nsp* PART IS LISTED FOR REFERENCE ONLY, MARANTZ WILL NOT SUPPLY THESE PARTS.

P.C.B. NAME	POS. NO.	VERS. COLOR	PART NO. (FOR EUR)	PART NO. (MZ)	PART NAME	DESCRIPTION	
CRTL	Q1		00MHT110151C0	00MHT110151C0	TRS.	2SA1015GR-T G	S0066842
CRTL	Q1		90M-HT200310R	90M-HT200310R	TRS.	2SB1237TV2Q G	3S000320
CRTL	Q2		00MHT318151C0	00MHT318151C0	TRS.	2SC1815-GR(TPE2.F) GZO	S0065482
CRTL	Q2		90M-HT200310R	90M-HT200310R	TRS.	2SB1237TV2Q G	3S000320
CRTL	Q3		90M-HT200310R	90M-HT200310R	TRS.	2SB1237TV2Q G	3S000320
CRTL	Q4		90M-HT200310R	90M-HT200310R	TRS.	2SB1237TV2Q G	3S000320
CRTL	Q7		00MHT318151C0	00MHT318151C0	TRS.	2SC1815-GR(TPE2.F) GZO	S0065482
CRTL	R41		nsp	00MGD05821160	RES.	1/8W 820 OHMJ26MM G	R0155031
CRTL	R42		nsp	00MGD05223160	RES.	1/8W 22K OHMJ26MM G	R0155371
CRTL	R43		nsp	00MGD05103160	RES.	1/8W 10K OHMJ26MM G	R0155291
CRTL	R44		nsp	00MGD05223160	RES.	1/8W 22K OHMJ26MM G	R0155371
CRTL	R45		nsp	00MGD05223160	RES.	1/8W 22K OHMJ26MM G	R0155371
CRTL	R46		nsp	00MGD05332160	RES.	1/8W 3.3K OHMJ26MM G	R0155171
CRTL	R47		nsp	00MGD05123160	RES.	1/8W 12K OHMJ26MM G	R0155311
CRTL	R48		nsp	00MGD05102160	RES.	1/8W 1.0K OHMJ26MM G	R0155051
CRTL	R49		nsp	00MGD05123160	RES.	1/8W 12K OHMJ26MM G	R0155311
CRTL	R50		nsp	00MGD05472160	RES.	1/8W 4.7K OHMJ26MM G	R0155211
CRTL	R51		nsp	00MGD05102160	RES.	1/8W 1.0K OHMJ26MM G	R0155051
CRTL	R52		nsp	00MGD05472160	RES.	1/8W 4.7K OHMJ26MM G	R0155211
CRTL	R53		nsp	00MGD05102160	RES.	1/8W 1.0K OHMJ26MM G	R0155051
CRTL	R54		nsp	00MGD05472160	RES.	1/8W 4.7K OHMJ26MM G	R0155211
CRTL	R55		nsp	00MGD05102160	RES.	1/8W 1.0K OHMJ26MM G	R0155051
CRTL	R56		nsp	00MGD05472160	RES.	1/8W 4.7K OHMJ26MM G	R0155211
CRTL	R57		nsp	00MGD05102160	RES.	1/8W 1.0K OHMJ26MM G	R0155051
CRTL	R62		nsp	00MGD05102160	RES.	1/8W 1.0K OHMJ26MM G	R0155051
CRTL	R63		nsp	00MGD05103160	RES.	1/8W 10K OHMJ26MM G	R0155291
CRTL	R64		nsp	00MGD05223160	RES.	1/8W 22K OHMJ26MM G	R0155371
CRTL	R72		nsp	00MGD05223160	RES.	1/8W 22K OHMJ26MM G	R0155371
CRTL	R73		nsp	00MGD05223160	RES.	1/8W 22K OHMJ26MM G	R0155371
CRTL	R74		nsp	00MGD05223160	RES.	1/8W 22K OHMJ26MM G	R0155371
CRTL	R77		nsp	00MGD05823160	RES.	1/8W 82K OHMJ26MM G	3R001181
CRTL	R78		nsp	00MGD05823160	RES.	1/8W 82K OHMJ26MM G	3R001181
CRTL	R84		nsp	00MGD05223160	RES.	1/8W 22K OHMJ26MM G	R0155371
CRTL	R85		nsp	00MGD05223160	RES.	1/8W 22K OHMJ26MM G	R0155371
CRTL	R86		nsp	00MGD05223160	RES.	1/8W 22K OHMJ26MM G	R0155371
CRTL	R87		nsp	nsp	RES.	1/4W 100 OHMJ26MM G	3R002191
CRTL	R88		nsp	nsp	RES.	1/4W 100 OHMJ26MM G	3R002191
CRTL	R91		nsp	00MGD05103160	RES.	1/8W 10K OHMJ26MM G	R0155291
CRTL	R92		nsp	00MGD05223160	RES.	1/8W 22K OHMJ26MM G	R0155371
CRTL	R93		nsp	00MGD05223160	RES.	1/8W 22K OHMJ26MM G	R0155371
CRTL	R94		nsp	00MGD05223160	RES.	1/8W 22K OHMJ26MM G	R0155371
CRTL	U41		90M-HC300920R	90M-HC300920R	IC	TA78L005AP (F) G	3S000380G
CRTL	U42		90M-HS16CWX0R	90M-HS16CWX0R	U-PRO	CXP82940-102Q G	3S0024900A
CRTL	U43		00MBA20024210	00MBA20024210	TRS.	DTC124ES TP G	3S000291
CRTL	U44		00MBA20024210	00MBA20024210	TRS.	DTC124ES TP G	3S000291
CRTL	U45		00MHC406621B0	00MHC406621B0	IC	BU4066BC G	3S000430
CRTL	U47		00MBA20024210	00MBA20024210	TRS.	DTC124ES TP G	3S000291
CRTL	U48		00MBA20024210	00MBA20024210	TRS.	DTC124ES TP G	3S000291
CRTL	U49		00MBA20024210	00MBA20024210	TRS.	DTC124ES TP G	3S000291
CRTL	U50		00MBA20024210	00MBA20024210	TRS.	DTC124ES TP G	3S000291
CRTL	U51		00MBA10016210	00MBA10016210	TRS.	DTA124ES TP G	3S000301
CRTL	U52		00MBA20024210	00MBA20024210	TRS.	DTC124ES TP G	3S000291
CRTL	U53		00MBA20024210	00MBA20024210	TRS.	DTC124ES TP G	3S000291
CRTL	U54		00MBA20024210	00MBA20024210	TRS.	DTC124ES TP G	3S000291
CRTL	U55		00MBA20024210	00MBA20024210	TRS.	DTC124ES TP G	3S000291
CRTL	VR1		90M-RA001160R	90M-RA001160R	TRIM. RES.	VR SEMI-FIXERH0615-2.2KBG	3R004570
CRTL	VR2		90M-RA001160R	90M-RA001160R	TRIM. RES.	VR SEMI-FIXERH0615-2.2KBG	3R004570
CRTL	VR3		90M-RA001160R	90M-RA001160R	TRIM. RES.	VR SEMI-FIXERH0615-2.2KBG	3R004570
CRTL	VR4		90M-RA001160R	90M-RA001160R	TRIM. RES.	VR SEMI-FIXERH0615-2.2KBG	3R004570
CRTL	W207		nsp	nsp	CORD	JUMPER WIRE, 10MM G	E0123301
CRTL	W209		nsp	nsp	CORD	JUMPER WIRE, 10MM G	E0123301
CRTL	W210		nsp	nsp	CORD	JUMPER WIRE, 10MM G	E0123301
CRTL	W212		nsp	nsp	CORD	JUMPER WIRE, 10MM G	E0123301
CRTL	W213		nsp	nsp	CORD	JUMPER WIRE, 10MM G	E0123301
CRTL	W215		nsp	nsp	CORD	JUMPER WIRE, 10MM G	E0123301
CRTL	W216		nsp	nsp	CORD	JUMPER WIRE, 17.5MM G	E0123391
CRTL	W217		nsp	nsp	CORD	JUMPER WIRE, 10MM G	E0123301

NOTE : "nsp" PART IS LISTED FOR REFERENCE ONLY, MARANTZ WILL NOT SUPPLY THESE PARTS.

P.C.B. NAME	POS. NO.	VERS. COLOR	PART NO. (FOR EUR)	PART NO. (MZ)	PART NAME	DESCRIPTION	
CRTL	W219		nsp	nsp	CORD	JUMPER WIRE, 10MM G	E0123301
CRTL	W220		nsp	nsp	CORD	JUMPER WIRE, 10MM G	E0123301
CRTL	W221		nsp	nsp	CORD	JUMPER WIRE, 10MM G	E0123301
CRTL	W222		nsp	nsp	CORD	JUMPER WIRE, 10MM G	E0123301
CRTL	W223		nsp	nsp	CORD	JUMPER WIRE, 12.5MM G	E0123331
CRTL	W224		nsp	nsp	CORD	JUMPER WIRE, 10MM G	E0123301
CRTL	W225		nsp	nsp	CORD	JUMPER WIRE, 5MM G	E0123241
CRTL	W226		nsp	nsp	CORD	JUMPER WIRE, 15MM G	E0123361
CRTL	W227		nsp	nsp	CORD	JUMPER WIRE, 15MM G	E0123361
CRTL	W228		nsp	nsp	CORD	JUMPER WIRE, 10MM G	E0123301
CRTL	W229		nsp	nsp	CORD	JUMPER WIRE, 15MM G	E0123361
CRTL	W230		nsp	nsp	CORD	JUMPER WIRE, 7.5MM G	E0123271
CRTL	W231		nsp	nsp	CORD	JUMPER WIRE, 7.5MM G	E0123271
CRTL	W232		nsp	nsp	CORD	JUMPER WIRE, 15MM G	E0123361
CRTL	W233		nsp	nsp	CORD	JUMPER WIRE, 5MM G	E0123241
CRTL	W234		nsp	nsp	CORD	JUMPER WIRE, 5MM G	E0123241
CRTL	W236		nsp	nsp	CORD	JUMPER WIRE, 7.5MM G	E0123271
CRTL	W237		nsp	nsp	CORD	JUMPER WIRE, 10MM G	E0123301
CRTL	W238		nsp	nsp	CORD	JUMPER WIRE, 10MM G	E0123301
CRTL	W239		nsp	nsp	CORD	JUMPER WIRE, 10MM G	E0123301
CRTL	W240		nsp	nsp	CORD	JUMPER WIRE, 10MM G	E0123301
CRTL	W241		nsp	nsp	CORD	JUMPER WIRE, 10MM G	E0123301
CRTL	W242		nsp	nsp	CORD	JUMPER WIRE, 10MM G	E0123301
CRTL	W243		nsp	nsp	CORD	JUMPER WIRE, 10MM G	E0123301
CRTL	W244		nsp	nsp	CORD	JUMPER WIRE, 10MM G	E0123301
CRTL	W245		nsp	nsp	CORD	JUMPER WIRE, 7.5MM G	E0123271
CRTL	W246		nsp	nsp	CORD	JUMPER WIRE, 10MM G	E0123301
CRTL	W247		nsp	nsp	CORD	JUMPER WIRE, 10MM G	E0123301
CRTL	W248		nsp	nsp	CORD	JUMPER WIRE, 10MM G	E0123301
CRTL	W249		nsp	nsp	CORD	JUMPER WIRE, 10MM G	E0123301
CRTL	W250		nsp	nsp	CORD	JUMPER WIRE, 10MM G	E0123301
CRTL	W251		nsp	nsp	CORD	JUMPER WIRE, 17.5MM G	E0123391
CRTL	W252		nsp	nsp	CORD	JUMPER WIRE, 10MM G	E0123301
CRTL	W253		nsp	nsp	CORD	JUMPER WIRE, 10MM G	E0123301
CRTL	W254		nsp	nsp	CORD	JUMPER WIRE, 17.5MM G	E0123391
CRTL	W255		nsp	nsp	CORD	JUMPER WIRE, 10MM G	E0123301
CRTL	W256		nsp	nsp	CORD	JUMPER WIRE, 10MM G	E0123301
CRTL	W257		nsp	nsp	CORD	JUMPER WIRE, 10MM G	E0123301
CRTL	W260		nsp	nsp	CORD	JUMPER WIRE, 10MM G	E0123301
CRTL	W261		nsp	nsp	CORD	JUMPER WIRE, 10MM G	E0123301
CRTL	W263		nsp	nsp	CORD	JUMPER WIRE, 10MM G	E0123301
CRTL	W273		nsp	nsp	CORD	JUMPER WIRE, 5MM G	E0123241
CRTL	W297		nsp	nsp	CORD	JUMPER WIRE, 15MM G	E0123361
CRTL	W298		nsp	nsp	CORD	JUMPER WIRE, 15MM G	E0123361
CRTL	W299		nsp	nsp	CORD	JUMPER WIRE, 15MM G	E0123361
CRTL	W300		nsp	nsp	CORD	JUMPER WIRE, 15MM G	E0123361
CRTL	W301		nsp	nsp	CORD	JUMPER WIRE, 10MM G	E0123301
CRTL	W302		nsp	nsp	CORD	JUMPER WIRE, 5MM G	E0123241
CRTL	W303		nsp	nsp	CORD	JUMPER WIRE, 15MM G	E0123361
CRTL	W312		nsp	nsp	CORD	JUMPER WIRE, 5MM G	E0123241
CRTL	W325		nsp	nsp	CORD	JUMPER WIRE, 5MM G	E0123241
CRTL	W332		nsp	nsp	CORD	JUMPER WIRE, 5MM G	E0123241
CRTL	W333		nsp	nsp	CORD	JUMPER WIRE, 5MM G	E0123241
CRTL	W371		nsp	nsp	CORD	JUMPER WIRE, 5MM G	E0123241
CRTL	X1		90M-FQ000600R	90M-FQ000600R	CER. VIB.	RESO, CE, CSTLS8M00G53-B0 G	3E010670G
					VR PWB (E90288600A)		
VR	J311		nsp	nsp	CORD	6P MIC-B WIRE G	3E0077301A
VR	P503		nsp	nsp	CORD	3P PITH CON WIRE G	3E0076901B
VR	R31		90M-RM000380R	90M-RM000380R	VAR. RES.	VAR RES, RK14K12D 50KA*2 G	3R004510
VR	R32		90M-RM000390R	90M-RM000390R	VAR. RES.	VAR REG, 10KB RK11K1130G	3R004880
VR	R410		nsp	00MGD05822160	RES.	1/8W 8.2K OHMJ26MM G	R0155271
VR	R411		nsp	00MGD05822160	RES.	1/8W 8.2K OHMJ26MM G	R0155271
					PHONE PWB (E90288700A)		
PHONE	C403		nsp	nsp	CER. CAP.	CC, YF 50V 0.047U Z CERTPG	3C006082
PHONE	C406		nsp	nsp	CER. CAP.	CC, YE 50V 0.1UFMTPG	C0058472
PHONE	C408		nsp	nsp	CER. CAP.	CC, YE 50V 0.1UFMTPG	C0058472
PHONE	E		nsp	nsp	CORD	PHONE JACK GND WIRE G	3E0082600B

NOTE : "nsp" PART IS LISTED FOR REFERENCE ONLY, MARANTZ WILL NOT SUPPLY THESE PARTS.

P.C.B. NAME	POS. NO.	VERS. COLOR	PART NO. (FOR EUR)	PART NO. (MZ)	PART NAME	DESCRIPTION	
PHONE	J306		nsp	nsp	CORD	3P PHONE WIRE G	3E0076401B
PHONE	J31		90M-YT001780R	90M-YT001780R	TERMINAL	JACK, JY-6317-01-030G G	3E006360
					TRANS A PWB (E90288800A)		
TRANS1	AC2	/N1B	nsp	nsp	CONN.	PIN, TERMINAL LAPPING 2P G	3E002170
TRANS1	W172	/N1B	nsp	nsp	CORD	JUMPER WIRE, 10MM G	E0123301
TRANS1	W170	F B	nsp	nsp	CORD	JUMPER WIRE, 10MM G	E0123301
					TRANS B PWB (E90288900A)		
TRANS B	C901	/N1B	nsp	nsp	CER. CAP.	CC, YF 50V 0.10UFZ CER TPG	3C006122
TRANS B	J401		nsp	nsp	CORD	5P POWER WIRE G	3E0076201A
TRANS B	L901		nsp	nsp	CORD	JUMPER WIRE, 10MM G	E0123301
TRANS B	L902		nsp	nsp	CORD	JUMPER WIRE, 10MM G	E0123301
TRANS B	S401		90M-SP000740R	90M-SP000740R	SW	SW, PUSH SPUN 12 G	3E002060
TRANS B	W173		nsp	nsp	CORD	JUMPER WIRE, 10MM G	E0123301
					REMOTE PWB (E90289000A)		
REMOTE	C450		nsp	nsp	CER. CAP.	CC, YF 50V 0.10UFZ CER TPG	3C006122
REMOTE	J33		90M-YT001800R	90M-YT001800R	TERMINAL	JACK, RCA 2P ORANGE G	3E010890
REMOTE	J504		nsp	nsp	CORD	2P REMOTE WIRE G	3E0108701A
REMOTE	R450		nsp	00MGD05470160	RES.	1/8W 47 OHMJ26MM G	R0154731

NOTE : "nsp" PART IS LISTED FOR REFERENCE ONLY, MARANTZ WILL NOT SUPPLY THESE PARTS.

10. ABOUT REPLACE THE MICROPROCESSOR WITH A NEW ONE

When replaced of the U-PRO (Microprocessor) or the Flash ROM, confirm contents of the following.

PWB Name	Pos. No.	Description	After replaced	Remark
CRTL	U42	CXP82940-102Q G	A	

After replaced

- A** : Mask ROM (With software). No need write-in of software to the microprocessor.
- B** : Flash ROM (With software). Usually, no need write-in of software. But, when the software was updated, you should be write-in of the new software to the microprocessor or flash ROM. Please check the software version.
- C** : Empty Flash ROM (Without software). You should be write-in of the software to the microprocessor or flash ROM. Refer to "Update procedure" or "writing procedure", when you should be write-in the software.

マイコン等を交換した場合の対応について

U-PRO(マイコン)およびFlash ROM等を交換した場合の対応方法を下記の記載します。

PWB Name	Pos. No.	Description	交換時の対応	備考
CRTL	U42	CXP82940-102Q G	A	

交換時の対応

- A** : Mask ROM (ソフトウェア書き込み済み) 交換時にソフトウェアの書き込みは必要ありません。
- B** : Flash ROM (ソフトウェア書き込み済み) バージョンアップにより交換時にソフトウェアの書き換えが必要な場合があります。バージョンの確認をしてください。
- C** : 空ROM (Flash ROM) 交換時必ずソフトウェアの書き込みが必要になります。Update、書き込み方法を参照してください。